

IMPORTANT
Read Before Using

IMPORTANT
Lire avant usage

IMPORTANTE
Leer antes de usar



Operating / Safety Instructions
Consignes d'utilisation / de sécurité
Instrucciones de funcionamiento y seguridad

3100



DREMEL®

Call Toll Free for Consumer Information & Service Locations

Pour obtenir des informations et les adresses de nos centres de service après-vente, appelez ce numéro gratuit

Llame gratis para obtener información para el consumidor y ubicaciones de servicio

1-800-4-DREMEL (1-800-437-3635) www.dremel.com





For English Version
See page 2

Version française
Voir page 20


Versión en español
Ver la página 38

Safety Symbols

The definitions below describe the level of severity for each signal word. Please read the manual and pay attention to these symbols.

	This is the safety alert symbol. It is used to alert you to potential personal injury hazards. Obey all safety messages that follow this symbol to avoid possible injury or death.
	DANGER indicates a hazardous situation which, if not avoided, will result in death or serious injury.
	WARNING indicates a hazardous situation which, if not avoided, could result in death or serious injury.
	CAUTION indicates a hazardous situation which, if not avoided, could result in minor or moderate injury.

General Power Tool Safety Warnings

 **WARNING** Read all safety warnings, instructions, illustrations and specifications provided with this power tool. Failure to follow all instructions listed below may result in electric shock, fire and/or serious injury.

SAVE ALL WARNINGS AND INSTRUCTIONS FOR FUTURE REFERENCE

The term “power tool” in the warnings refers to your mains-operated (corded) power tool or battery-operated (cordless) power tool.

1. Work area safety

- Keep work area clean and well lit.** Cluttered or dark areas invite accidents.
- Do not operate power tools in explosive atmospheres, such as in the presence of flammable liquids, gases or dust.** Power tools create sparks which may ignite the dust or fumes.
- Keep children and bystanders away while operating a power tool.** Distractions can cause you to lose control.

2. Electrical safety

- Power tool plugs must match the outlet. Never modify the plug in any way. Do not use any adapter plugs with earthed (grounded) power tools.** Unmodified plugs and matching outlets will reduce risk of electric shock.
- Avoid body contact with earthed or grounded surfaces, such as pipes, radiators, ranges and refrigerators.** There is an increased risk of electric shock if your body is earthed or grounded.

- Do not expose power tools to rain or wet conditions.** Water entering a power tool will increase the risk of electric shock.
- Do not abuse the cord. Never use the cord for carrying, pulling or unplugging the power tool. Keep cord away from heat, oil, sharp edges or moving parts.** Damaged or entangled cords increase the risk of electric shock.
- When operating a power tool outdoors, use an extension cord suitable for outdoor use.** Use of a cord suitable for outdoor use reduces the risk of electric shock.
- If operating a power tool in a damp location is unavoidable, use a Ground Fault Circuit Interrupter (GFCI) protected supply.** Use of an GFCI reduces the risk of electric shock.

3. Personal safety

- Stay alert, watch what you are doing and use common sense when operating a power tool. Do not use a power tool while you are tired or under the influence of drugs, alcohol or medication.** A moment of inattention while operating power tools may result in serious personal injury.

General Power Tool Safety Warnings

- b. **Use personal protective equipment. Always wear eye protection.** Protective equipment such as a dust mask, non-skid safety shoes, hard hat, or hearing protection used for appropriate conditions will reduce personal injuries.
- c. **Prevent unintentional starting. Ensure the switch is in the off-position before connecting to power source and / or battery pack, picking up or carrying the tool.** Carrying power tools with your finger on the switch or energizing power tools that have the switch on invites accidents.
- d. **Remove any adjusting key or wrench before turning the power tool on.** A wrench or a key left attached to a rotating part of the power tool may result in personal injury.
- e. **Do not overreach. Keep proper footing and balance at all times.** This enables better control of the power tool in unexpected situations.
- f. **Dress properly. Do not wear loose clothing or jewelry. Keep your hair and clothing away from moving parts.** Loose clothes, jewelry or long hair can be caught in moving parts.
- g. **If devices are provided for the connection of dust extraction and collection facilities, ensure these are connected and properly used.** Use of dust collection can reduce dust-related hazards.
- h. **Do not let familiarity gained from frequent use of tools allow you to become complacent and ignore tool safety principles.** A careless action can cause severe injury within a fraction of a second.
- c. **Disconnect the plug from the power source and/or remove the battery pack, if detachable, from the power tool before making any adjustments, changing accessories, or storing power tools.** Such preventive safety measures reduce the risk of starting the power tool accidentally.
- d. **Store idle power tools out of the reach of children and do not allow persons unfamiliar with the power tool or these instructions to operate the power tool.** Power tools are dangerous in the hands of untrained users.
- e. **Maintain power tools and accessories. Check for misalignment or binding of moving parts, breakage of parts and any other condition that may affect the power tool's operation. If damaged, have the power tool repaired before use.** Many accidents are caused by poorly maintained power tools.
- f. **Keep cutting tools sharp and clean.** Properly maintained cutting tools with sharp cutting edges are less likely to bind and are easier to control.
- g. **Use the power tool, accessories and tool bits etc. in accordance with these instructions, taking into account the working conditions and the work to be performed.** Use of the power tool for operations different from those intended could result in a hazardous situation.
- h. **Keep handles and grasping surfaces dry, clean and free from oil and grease.** Slippery handles and grasping surfaces do not allow for safe handling and control of the tool in unexpected situations.

4. Power tool use and care

- a. **Do not force the power tool. Use the correct power tool for your application.** The correct power tool will do the job better and safer at the rate for which it was designed.
- b. **Do not use the power tool if the switch does not turn it on and off.** Any power tool that cannot be controlled with the switch is dangerous and must be repaired.

5. Service

- a. **Have your power tool serviced by a qualified repair person using only identical replacement parts.** This will ensure that the safety of the power tool is maintained.

Safety Rules for Rotary Tools

1. Safety warnings common for grinding, sanding, wire brushing, polishing, carving or abrasive cut-off operations:

- a. **This power tool is intended to function as a grinder, sander, wire brush, polisher, carving or cut-off tool. Read all safety warnings, instructions, illustrations and specifications provided with this power tool.** Failure to follow all instructions listed below may result in electric shock, fire and/or serious injury.
- b. **Do not use accessories which are not specifically designed and recommended by the tool manufacturer.** Just because the accessory can be attached to your power tool, it does not assure safe operation.
- c. **The rated speed of the accessories must be at least equal to the maximum speed marked on the power tool.** Accessories running faster than their rated speed can break and fly apart.
- d. **The outside diameter and the thickness of your accessory must be within the capacity rating of your power tool.** Incorrectly sized accessories cannot be adequately guarded or controlled.
- e. **The arbor size of wheels, sanding drums or any other accessory must properly fit the spindle or collet of the power tool.** Accessories that do not match the mounting hardware of the power tool will run out of balance, vibrate excessively and may cause loss of control.
- f. **Mandrel mounted wheels, sanding drums, cutters or other accessories must be fully inserted into the collet or chuck.** If the mandrel is insufficiently held and/or the overhang of the wheel is too long, the mounted wheel may become loose and be ejected at high velocity.
- g. **Do not use a damaged accessory. Before each use inspect the accessory such as abrasive wheels for chips and cracks, sanding drum for cracks, tear or excess wear, wire brush for loose or cracked wires. If power tool or accessory is dropped, inspect for damage or install an undamaged accessory. After inspecting and installing an accessory, position**
- yourself and bystanders away from the plane of the rotating accessory and run the power tool at maximum no-load speed for one minute. Damaged accessories will normally break apart during this test time.
- h. **Wear personal protective equipment. Depending on application, use face shield, safety goggles or safety glasses. As appropriate, wear dust mask, hearing protectors, gloves and workshop apron capable of stopping small abrasive or workpiece fragments.** The eye protection must be capable of stopping flying debris generated by various operations. The dust mask or respirator must be capable of filtering particles generated by your operation. Prolonged exposure to high intensity noise may cause hearing loss.
- i. **Keep bystanders a safe distance away from work area. Anyone entering the work area must wear personal protective equipment.** Fragments of workpiece or of a broken accessory may fly away and cause injury beyond immediate area of operation.
- j. **Hold the power tool by insulated gripping surfaces only, when performing an operation where the cutting accessory may contact hidden wiring or its own cord.** Cutting accessory contacting a “live” wire may make exposed metal parts of the power tool “live” and could give the operator an electric shock.
- k. **Always hold the tool firmly in your hand(s) during the start-up.** The reaction torque of the motor, as it accelerates to full speed, can cause the tool to twist.
- l. **Use clamps to support workpiece whenever practical. Never hold a small workpiece in one hand and the tool in the other hand while in use.** Clamping a small workpiece allows you to use your hand(s) to control the tool. Round material such as dowel rods, pipes or tubing have a tendency to roll while being cut, and may cause the bit to bind or jump toward you.
- m. **Position the cord clear of the spinning accessory.** If you lose control, the cord may be cut or snagged and your hand or arm may be pulled into the spinning accessory.

Safety Rules for Rotary Tools

- n. **Never lay the power tool down until the accessory has come to a complete stop.**

The spinning accessory may grab the surface and pull the power tool out of your control.

- o. **After changing the bits or making any adjustments, make sure the collet nut, chuck or any other adjustment devices are securely tightened.** Loose adjustment devices can unexpectedly shift, causing loss of control, loose rotating components will be violently thrown.

- p. **Do not run the power tool while carrying it at your side.** Accidental contact with the spinning accessory could snag your clothing, pulling the accessory into your body.

- q. **Regularly clean the power tool's air vents.** The motor's fan will draw the dust inside the housing and excessive accumulation of powdered metal may cause electrical hazards.

- r. **Do not operate the power tool near flammable materials.** Sparks could ignite these materials.

- s. **Do not use accessories that require liquid coolants.** Using water or other liquid coolants may result in electrocution or shock.

- t. **Use only in well-ventilated area.** Working in a safe environment reduces risk of injury.

- u. **Allow for sufficient space, at least 6" (15.2cm), between your hand and the spinning bit.** Do not reach in the area of the spinning bit. The proximity of the spinning bit to your hand may not always be obvious.

- v. **Do not touch the bit or collet after use.** After use the bit and collet are too hot to be touched by bare hands.

- w. **Do not alter or misuse tool.** Any alteration or modification is a misuse and may result in serious personal injury.

power tool to be forced in the direction opposite of the accessory's rotation.

For example, if an abrasive wheel is snagged or pinched by the workpiece, the edge of the wheel that is entering into the pinch point can dig into the surface of the material causing the wheel to climb out or kickout. The wheel may either jump toward or away from the operator, depending on direction of the wheel's movement at the point of pinching. Abrasive wheels may also break under these conditions.

Kickback is the result of power tool misuse and/or incorrect operating procedures or conditions and can be avoided by taking proper precautions as given below.

- a. **Maintain a firm grip on the power tool and position your body and arm to allow you to resist kickback forces.** The operator can control kickback forces, if proper precautions are taken.

- b. **Use special care when working corners, sharp edges etc. Avoid bouncing and snagging the accessory.** Corners, sharp edges or bouncing have a tendency to snag the rotating accessory and cause loss of control or kickback.

- c. **Do not attach a toothed saw blade.** Such blades create frequent kickback and loss of control.

- d. **Always feed the bit into the material in the same direction as the cutting edge is exiting from the material (which is the same direction as the chips are thrown).** Feeding the tool in the wrong direction causes the cutting edge of the bit to climb out of the work and pull the tool in the direction of this feed.

- e. **When using rotary files, cut-off wheels, high-speed cutters or tungsten carbide cutters, always have the work securely clamped.** These wheels will grab if they become slightly canted in the groove, and can kickback. When a cut-off wheel grabs, the wheel itself usually breaks. When a rotary file, high-speed cutter or tungsten carbide cutter grabs, it may jump from the groove and you could lose control of the tool.

2. Kickback and Related Warnings

Kickback is a sudden reaction to a pinched or snagged rotating wheel, sanding band, brush or any other accessory. Pinching or snagging causes rapid stalling of the rotating accessory which in turn causes the uncontrolled

Safety Rules for Rotary Tools

3. Safety warnings specific for grinding and abrasive cutting-off operations:

- Use only wheel types that are recommended for your power tool and only for recommended applications. For example: do not grind with the side of a cut-off wheel.** Abrasive cut-off wheels are intended for peripheral grinding, side forces applied to these wheels may cause them to shatter.
- For threaded abrasive cones and plugs use only undamaged wheel mandrels with an unrelieved shoulder flange that are of correct size and length.** Proper mandrels will reduce the possibility of breakage.
- Do not “jam” a cut-off wheel or apply excessive pressure. Do not attempt to make an excessive depth of cut.** Overstressing the wheel increases the loading and susceptibility to twisting or snagging of the wheel in the cut and the possibility of kickback or wheel breakage.
- Do not position your hand in line with and behind the rotating wheel.** When the wheel, at the point of operation, is moving away from your hand, the possible kickback may propel the spinning wheel and the power tool directly at you.
- When wheel is pinched, snagged or when interrupting a cut for any reason, switch off the power tool and hold the power tool motionless until the wheel comes to a complete stop. Never attempt to remove the cut-off wheel from the cut while the wheel is in motion otherwise kickback may occur.** Investigate and take

corrective action to eliminate the cause of wheel pinching or snagging.

- Do not restart the cutting operation in the workpiece. Let the wheel reach full speed and carefully re-enter the cut.** The wheel may bind, walk up or kickback if the power tool is restarted in the workpiece.
- Support panels or any oversized workpiece to minimize the risk of wheel pinching and kickback.** Large workpieces tend to sag under their own weight. Supports must be placed under the workpiece near the line of cut and near the edge of the workpiece on both sides of the wheel.
- Use extra caution when making a “pocket cut” into existing walls or other blind areas.** The protruding wheel may cut gas or water pipes, electrical wiring or objects that can cause kickback.

4. Safety warnings specific for wire brushing operations:

- Be aware that wire bristles are thrown by the brush even during ordinary operation. Do not overstress the wires by applying excessive load to the brush.** The wire bristles can easily penetrate light clothing and/or skin.
- Allow brushes to run at operating speed for at least one minute before using them. During this time no one is to stand in front or in line with the brush.** Loose bristles or wires will be discharged during the run-in time.
- Direct the discharge of the spinning wire brush away from you.** Small particles and tiny wire fragments may be discharged at high velocity during the use of these brushes and may become imbedded in your skin.

Additional Safety Warnings

Consult your local safety regulations and personal protection devices like electrician’s rubber gloves and footwear will further enhance your personal safety.

Do not use AC only rated tools with a DC power supply. While the tool may appear to work, the electrical components of the AC rated tool are likely to fail and create a hazard to the operator.

Develop a periodic maintenance schedule for your tool. When cleaning a tool be careful not to disassemble any portion of the tool since internal wires may be misplaced or pinched or safety guard return springs may be improperly mounted. Certain cleaning agents such as gasoline, carbon tetrachloride, ammonia, etc. may damage plastic parts.

Additional Safety Warnings

Risk of injury to user. The power cord must only be serviced by a Dremel Service Facility.

This product is not intended for use as a dental drill, in human or veterinary medical applications. Serious injury may result.

⚠️ WARNING To reduce the risk of injury, always wear safety goggles or glasses with side shields. The operator and other people in the work area must wear eye protection in accordance with ANSI Z87.1. Eye protection does not fit all operators in the same way. Make sure the eye protection chosen has side shields or provides protection from flying debris both from the front and sides. The employer is responsible for enforcing the use of eye protection by the operator and other people in the work area. When required, wear head protection in accordance with ANSI Z89.1



⚠️ WARNING Some dust created by power sanding, sawing, grinding, drilling, and other construction activities contains chemicals known to cause cancer, birth defects or other reproductive harm. Some examples of these chemicals are:

- Lead from lead-based paints,
- Crystalline silica from bricks and cement and other masonry products, and
- Arsenic and chromium from chemically-treated lumber.

Your risk from these exposures varies, depending on how often you do this type of work. To reduce your exposure to these chemicals: work in a well ventilated area, and work with approved safety equipment, such as those dust masks that are specially designed to filter out microscopic particles.

Intended Use

This hand-held, corded rotary tool is intended for carving/engraving, routing, grinding/sharpening, cutting, cleaning/polishing, sanding, grout removal and drilling applica-

tions in soft wood, hard wood, laminates/plastics, steel, aluminum/brass/copper, shell/stone, ceramic, glass, and other materials.

SAVE THESE INSTRUCTIONS


Specifications

Model Number	3100
Voltage rating	120V ~ 60Hz
Amperage rating	1.2A
Rated speed	n 5,000-35,000/min
Collet capacities	1/32", 1/16", 3/32", 1/8"

NOTE: For tool specifications refer to the nameplate on your tool.

Symbols

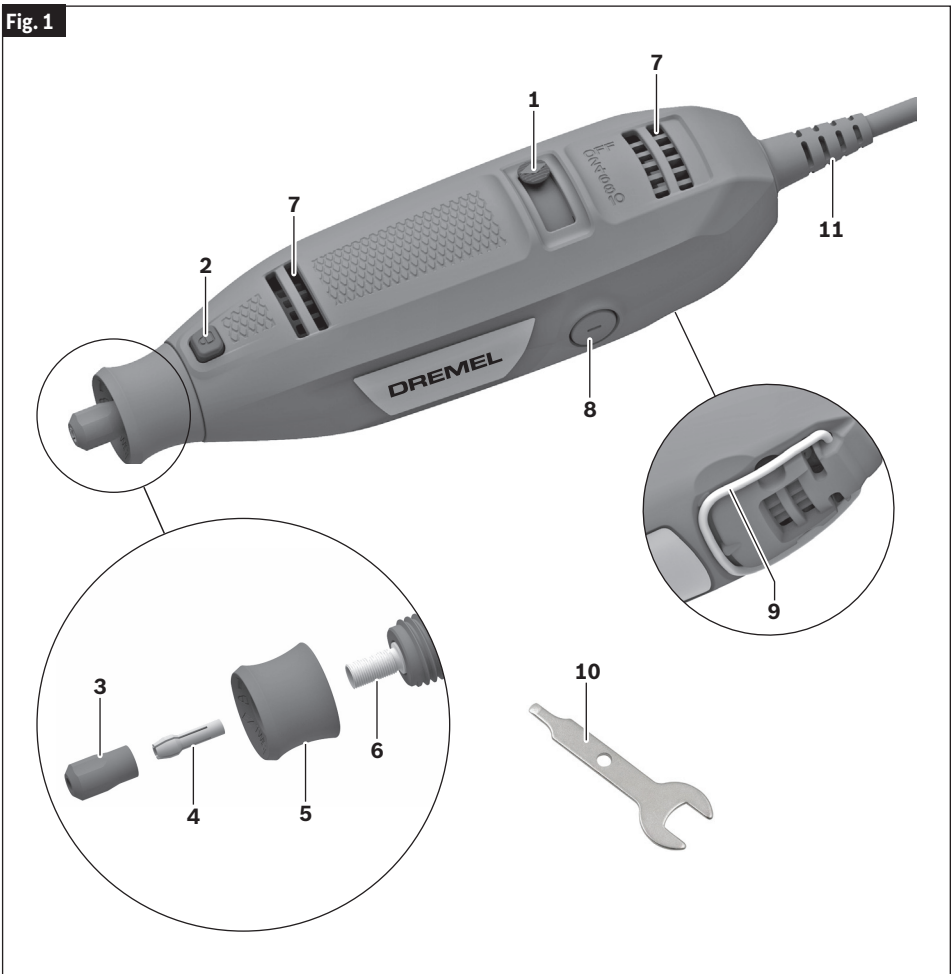
Important: Some of the following symbols may be used on your tool. Please study them and learn their meaning. Proper interpretation of these symbols will allow you to operate the tool better and safer.

Symbol	Designation/Explanation
V	Volts (voltage)
A	Amperes (current)
Hz	Hertz (frequency, cycles per second)
∅	Diameter (size of drill bits, grinding wheels, etc.)
n	Rated speed (Maximum attainable speed)
.../min	Revolutions or reciprocation per minute (revolutions, strokes, surface speed, orbits etc. per minute)
0	Off position (zero speed, zero torque...)
1, 2, 3, ... I, II, III,	Selector settings (speed, torque or position settings. Higher number means greater speed)
➔	Arrow (action in the direction of arrow)
~	Alternating current (Type or a characteristic of current)
□	Designates Double Insulated Construction tools
	This symbol designates that this tool is listed by the Canadian Standards Association, to United States and Canadian Standards.

Getting to Know Your Product

Model 3100 High Speed Rotary Tool

Fig. 1



- | | |
|--|---|
| 1 On/Off Switch | 7 Ventilation Openings |
| 2 Shaft Lock Button | 8 Brush Cover (one on each side) |
| 3 Collet Nut | 9 Hanger |
| 4 Collet | 10 Collet Wrench |
| 5 EZ Twist™ Integrated Wrench /
Nose Cap | 11 Cord |
| 6 Shaft | |

Assembly

⚠ WARNING Disconnect the plug from the power source before making any assembly, adjustments or changing accessories. Such preventive safety measures reduce the risk of starting the tool accidentally.


Changing Accessories with Collet Wrench

⚠ CAUTION Do not engage lock while the Rotary Tool is running.

(Fig. 2, 3)

To loosen the Collet Nut **3**, first press Shaft Lock Button **2** and rotate the shaft by hand until the lock engages the shaft preventing further rotation (Fig. 2).

With the Shaft Lock **2** engaged use the collet Wrench **10** to loosen the Collet Nut **3** if necessary. The collet nut must be loosely threaded on when inserting an accessory.

 Change accessories by inserting the new one the collet as far as possible to minimize runout and imbalance.

~~Certain applications benefit from having the accessory mounted partially extended from the collet. Ensure that the accessory does not extend beyond $1/2 h$ in these cases (Fig. 3).~~

With the shaft lock engaged, finger tighten the collet nut until the accessory shank is gripped by the collet. **Avoid excessive tightening of the collet nut when there is no bit inserted.**

Fig. 2

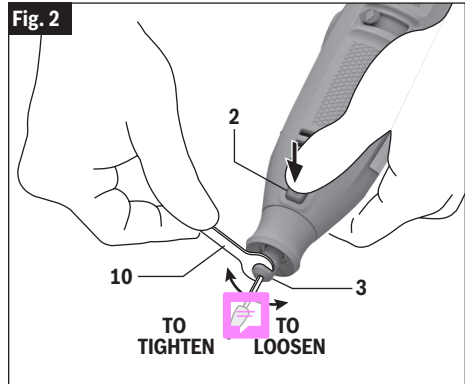
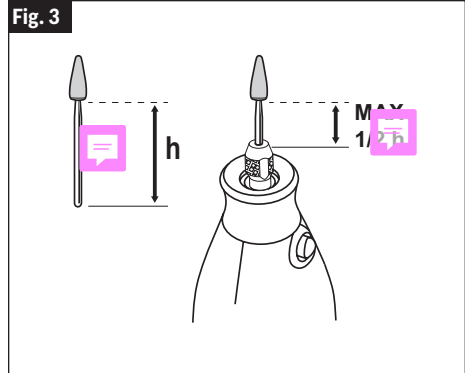


Fig. 3



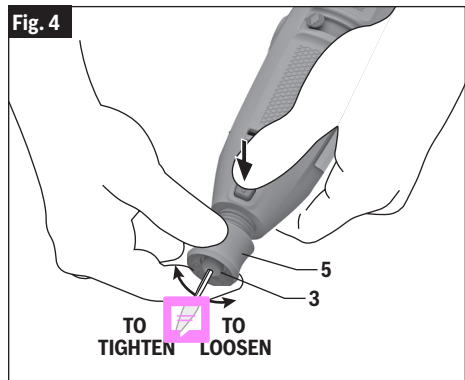
Changing Accessories with EZ Twist Integrated Wrench / Nose Cap

(Fig. 4)

The nose cap of your tool has an integrated wrench allowing you to loosen and tighten the collet nut without the use of the standard collet wrench.


Unscrew the Nose Cap **5** from the tool, line-up steel insert on inside of cap with Collet Nut **3**. With the shaft lock engaged, twist nose cap clockwise to tighten, and counter-clockwise to loosen.

Fig. 4



Assembly

Balancing Accessories

For precision work, it is important that all accessories be in good balance (much the same as the tires on your automobile). To true up or balance an accessory, slightly loosen collet nut and give the accessory or collet a 1/4 turn. Retighten collet nut and run the Rotary Tool. You should be able to tell by the sound and feel if your accessory is running in balance. Continue adjusting in this fashion until best balance is achieved. 

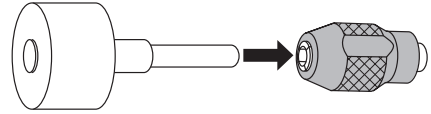
Fixing Stuck Collets

(Fig. 5)

It is possible for a collet to get stuck within the collet nut especially if a collet nut is tightened onto the tool without a bit in place.

If this happens, the collet can be removed from the collet nut by pushing the shank of an accessory into the hole in the collet nut. This should cause the collet to pop out of the collet nut.

Fig. 5



Hanger


(Fig. 1)

The Hanger **9** is provided for the use of hanging your tool while using the 225 flex shaft attachment or for storage. The Hanger **9** can be unsnapped from the tool in order to hang the tool, however it should be snapped back into place underneath the cord so it will be out of the way while the tool is in use.

Operation

⚠ WARNING Disconnect the plug from the power source before making any assembly, adjustments or changing accessories. Such preventive safety measures reduce the risk of starting the tool accidentally.

⚠ WARNING Always observe the following safety precautions in addition to the safety instructions on pages 2 through 7. Failure to do so may result in equipment damage, property damage, or personal injury.

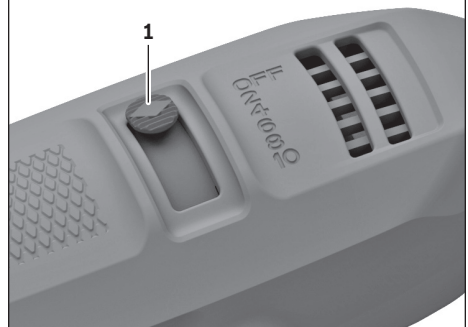
 **⚠ CAUTION** Whenever you hold the tool, be careful not to cover the air vents with your hand. This blocks the air flow and causes the motor to overheat.

On/Off Switch

(Fig. 6)

The tool is switched "ON" by sliding the On/Off Switch **1** from the marked "OFF" position to any of the variable speed settings.

Fig. 6



Operation

Variable Speed Selection

To select the right speed for each job, use a practice piece of material.

The speed of the Rotary Tool is controlled by sliding the On/Off Switch **1** on the housing shown in Fig 6. There are switch setting indicators marked with a line. Slide to the number on the housing to select the operating speed needed from 5,000 – 35,000 RPM.

You can refer to the Speed Setting Tables on page 15 to determine the proper speed, based on the material being worked and the type of accessory being used. These charts enable you to select both the correct accessory and the optimum speed at a glance.

Settings for Approximate Revolutions Per Minute	
Switch Setting	Speed Range
2	5,000 – 8,000 RPM
*4	9,000 – 15,000 RPM
6	16,000 – 21,000 RPM
8	22,000 – 27,000 RPM
10	28,000 – 35,000 RPM

* Wire Brush Setting.

Needs for Slower Speeds

Certain materials (some plastics and precious metals, for example) require a relatively slow speed because at high speed the friction of the accessory generates heat and may cause damage to the material.

Slow speeds (15,000 RPM or less) usually are best for working on delicate projects such as delicate wood carving and fragile model parts. **All brushing applications require lower speeds to avoid wire discharge from the holder.** See the Speed Settings Tables for recommended operating speeds.

Higher speeds are better for carving, cutting, routing, and shaping.

Hardwoods, metals and glass require high speed operation, and drilling should also be done at high speeds.

You can do the great majority of work with the single speed at its regular speed of 35,000 RPM. But for certain materials and types of work, you need slower speeds – which is the reason the variable speed models are available.

Increasing the pressure on the tool is not the answer when it is not performing as you think it should. Perhaps you should be using a different accessory, and perhaps an adjustment in speed would solve the problem. Leaning on the tool does not help.

Let speed do the work!

CAUTION Do not use external speed controllers, as this can damage the tool's electronics.

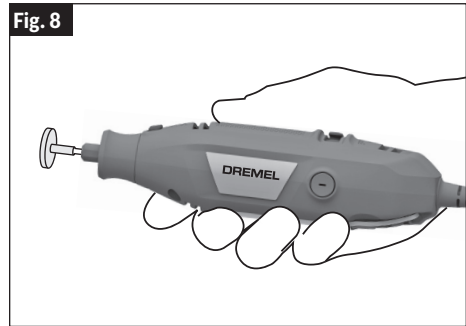
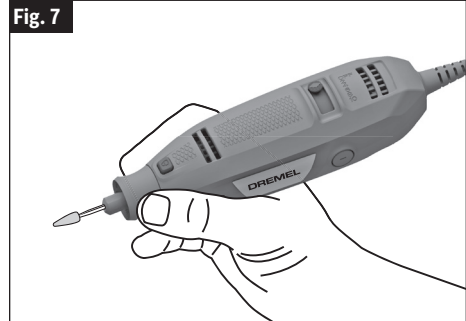
Using the Rotary Tool

(Fig. 7, 8)

Always hold the tool away from your face. Accessories can be damaged during handling, and can fly apart as they come up to speed. This is not common, but it does happen.

For best control in close work, grip the Rotary Tool like a pencil between your thumb and forefinger (Fig. 7).

The “Golf Grip” method of holding the tool is used for more aggressive operations such as grinding a flat surface or cutting (Fig. 8).





Maintenance

⚠ WARNING To avoid accidents always disconnect the tool from the power supply before cleaning or performing any maintenance.

Service

⚠ WARNING Preventive maintenance performed by unauthorized personnel may result in misplacing of internal wires and components which could cause serious hazard. We recommend that all tool service be performed by a Dremel Service Facility.

General Maintenance

The motor in your tool has been engineered for many hours of dependable service. To maintain peak efficiency of the motor, we recommend every 40 - 50 hours the brushes be examined. If your tool runs sporadically, loses power, makes unusual noises or runs at a reduced speed, check the brushes. Only genuine Dremel replacement brushes specially designed for your tool should be used.

⚠ CAUTION Continued use of the tool with worn brushes will permanently damage your tool.

(Fig. 9, 10)

To order replacement carbon brushes for your motor, please contact Dremel Customer Service: 1-800-437-3635.

Follow these steps to check/change the rotary tool brushes:

1. With the power cord unplugged, place the tool on a clean surface. Use the Collet Wrench **10** as a screwdriver to remove the brush caps **8** in a counter-clockwise direction (Fig. 9).
2. Remove the brushes from the tool by pulling on the spring that is attached to the carbon brush. If the brush is less than 1/8" long and the end surface of the brush that contacts the commutator is rough and/or pitted, they should be replaced. Check both brushes (Fig. 10).
3. Usually the brushes will not wear out simultaneously. If one brush is worn out, replace both brushes. Make sure the brushes are installed as illustrated. The curved surface of the brush must match the curvature of the commutator.

Fig. 9

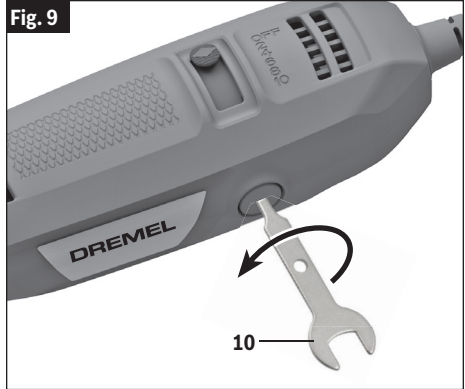
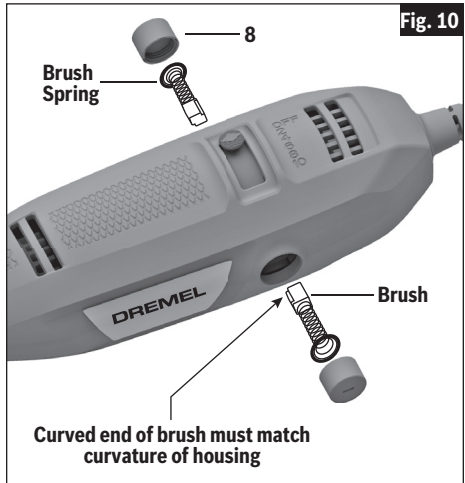


Fig. 10



4. After replacing brushes the tool should be run at no-load; place it on a clean surface and run it freely at full speed for 5 minutes before loading (or using) the tool. This will allow the brushes to "seat" properly and will give you more hours of life from each set of brushes. This will also extend the total life of your tool since the commutator surface will "wear" longer.



Maintenance

Cleaning

CAUTION Certain cleaning agents and solvents damage plastic parts. Some of these are: gasoline, carbon tetrachloride, chlorinated cleaning solvents, ammonia and household detergents that contain ammonia.

Ventilation openings and switch levers must be kept clean and free of foreign matter. Do not attempt to clean by inserting pointed objects through openings.

Extension Cords

WARNING If an extension cord is necessary, a cord with adequate size conductors that is capable of carrying the current necessary for your tool must be used. This will prevent excessive voltage drop, loss of power or overheating. Grounded tools must use 3-wire extension cords that have 3-prong plugs and receptacles.

NOTE: The smaller the gauge number, the higher the cord capacity.

RECOMMENDED SIZES OF EXTENSION CORDS 120 VOLT ALTERNATING CURRENT TOOLS

Tool's Ampere Rating	Cord Size in A.W.G.				Wire Sizes in mm ²			
	Cord Length in Feet				Cord Length in Meters			
	25	50	100	150	15	30	60	120
3-6	18	16	16	14	0.75	0.75	1.5	2.5
6-8	18	16	14	12	0.75	1.0	2.5	4.0
8-10	18	16	14	12	0.75	1.0	2.5	4.0
10-12	16	16	14	12	1.0	2.5	4.0	–
12-16	14	12	–	–	–	–	–	–

Dremel Accessories

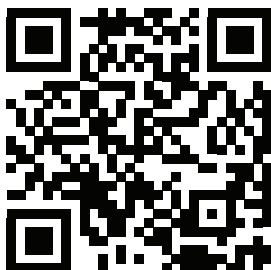
WARNING Use only Dremel® branded accessories. Other accessories are not designed for this tool and may lead to personal injury or property damage.

Store accessories in a dry and temperate environment to avoid corrosion and deterioration.

The number and variety of accessories for the Rotary Tool are almost limitless. There is a category suited to almost any job you might have to do and a variety of sizes and shapes within each category which enables you to get the perfect accessory for every need.

The accessory categories are as follows; carving / engraving, routing, grinding / sharpening, cutting, cleaning / polishing, sanding, grout removal, drilling and collets / miscellaneous.

For a complete Dremel rotary accessory guide please visit - <https://www.dremel.com/binaries/content/assets/dremel/us/other/rotary-accessory-guide.pdf>



Speed Settings

The following charts are recommended speeds for each accessory and material type.

Speed Settings: **2** (5,000 - 8,000 RPM) **4** (9,000 - 15,000 RPM) **6** (16,000 - 21,000 RPM)
8 (22,000 - 27,000 RPM) **10** (28,000 - 35,000 RPM)

Model Number	Soft Wood	Hard Wood	Laminates/Plastics	Steel	Aluminum, Brass, etc.	Shell/Stone	Ceramic	Glass	Rated Speed (Maximum Operating Speed of Accessory)
Carving / Engraving Accessories									
191	10	8-10	4	6	10	—	—	—	35,000
Cutting Accessories									
420, 426	6-10	6-10	4-6	8-10	10	6-10	—	—	35,000
Grinding / Sharpening Accessories: Aluminum Oxide (Orange/Brown)									
932, 8193	—	—	—	8-10	6-8	—	—	—	35,000
Grinding / Sharpening Accessories: Silicon Carbide (Blue/Green)									
83322	—	—	—	—	—	6-8	6-8	8	35,000
Cleaning / Polishing Accessories									
414, 422, 429	—	—	—	8-10	6	6	6	6	35,000
425	—	—	—	6-8	6-8	—	—	—	35,000
Sanding Accessories									
407, 408, 411, 412, 413, 432	6-8	6-8	6-8	6-8	6-8	6-8	—	—	35,000



Attachment Model A576 - Sanding / Grinding Guide

Using the Sanding/Grinding Guide Attachment

⚠ WARNING Do not use keyless chuck (model 4486) with this attachment. Only use a collet and collet nut.

⚠ WARNING For use with 1/2" or less sanding and grinding stone accessories only.

⚠ WARNING Router bits are not allowed for use with the Sanding/Grinding Guide attachment.

(Fig. 11, 12, 13)

The guide comes completely assembled and ready to use for sanding and grinding applications up to 1/2" (13 mm) thick.

The guide has a 90 and 45 degree bevel for various sanding applications.

Installation instructions:

1. Remove the Nose Cap **5** from the end of the tool and set nose cap aside (Fig. 11). The original nose cap must be reinstalled when this attachment is not used.
2. Loosen the Collet Nut **3**, insert accessory, and tighten the collet nut (Fig. 12).
3. Thread the attachment **A** onto the threaded portion of the housing collar **B** (Fig. 12).
4. To adjust the depth of the attachment **A** (Fig. 13): Loosen the wing knob **C**, adjust the depth, and tighten the wing knob **C**.

Fig. 11

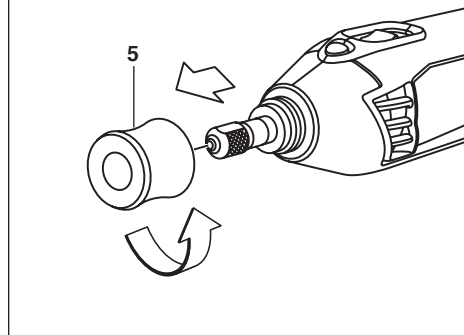


Fig. 12

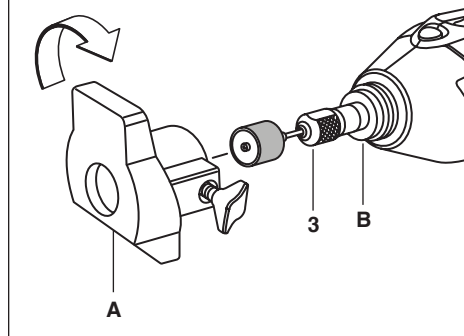
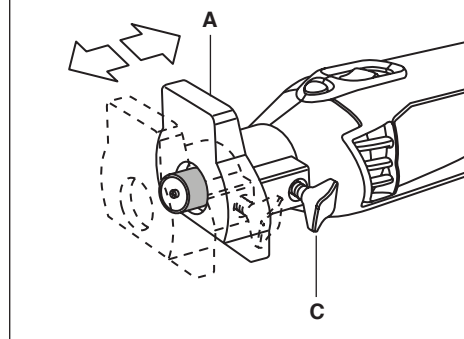


Fig. 13



Attachment Model 675 - Lawn Mower Blade Sharpener

Using the Lawn Mower Blade Sharpener Attachment

⚠ WARNING Do not use Dremel keyless chuck (model 4486) with this attachment. Only use a collet and collet nut.

⚠ WARNING Use only Dremel #932 sharpening stone with this attachment. Other stones may not fit attachment or be properly sized or speed rated.

⚠ WARNING Consult your lawn mower owner's manual for blade maintenance, blade removal, and reinstallation instructions. Cracks in blade body or improper blade removal and reinstallation may lead to serious injury.

⚠ WARNING Inspect the blade for cracks or missing sections. Replace blade if found cracked or damaged. Cracked or damaged blades can break apart under operation.

⚠ WARNING Lawn mower blades have sharp edges, which can lacerate hands.

⚠ WARNING Stone grabbing on the blade corner can kick back and cause loss of control.

(Fig. 14, 15, 16)

Installation instructions:

1. Remove the Nose Cap **5** from the end of the tool and set nose cap aside (Fig. 14). The original nose cap must be reinstalled when this attachment is not used.
2. Loosen Collet Nut **3** (Fig. 14).
3. Insert a new or newly dressed Dremel #932 Aluminum Oxide Grinding Stone **D** all the way into the collet and tighten the collet nut (Fig. 14).
4. Screw the Lawn Mower Sharpener Attachment **E** onto the Dremel Rotary Tool housing (fig. 15).

Sharpen the Lawn Mower Blade:

1. Place removed blade into a vise or clamp.
2. Position sharpener attachment over the beveled edge of the blade, keeping at the angle of the guide following the angle of the existing beveled edge (Fig. 16).

Fig. 14

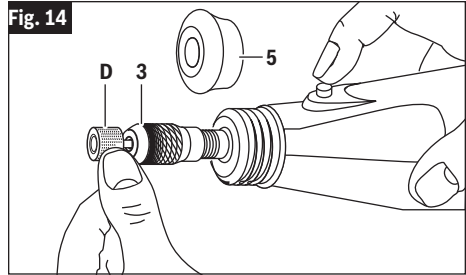


Fig. 15

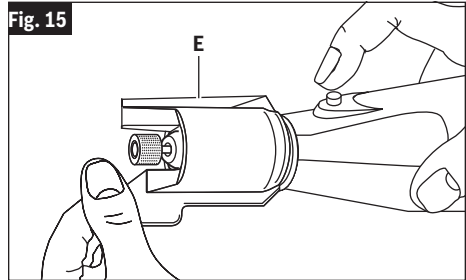
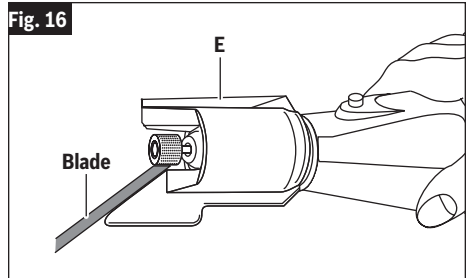


Fig. 16

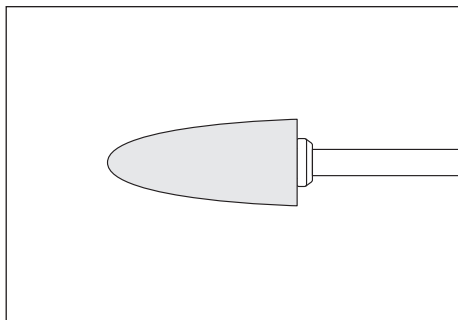
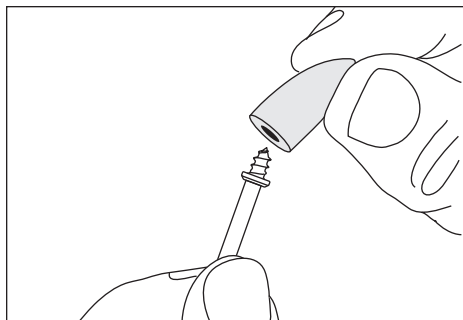


3. Turn on rotary tool and pass over each end of the blade an equal number of times, at the same speed and pressure to keep the blade in balance until edge is sharp.

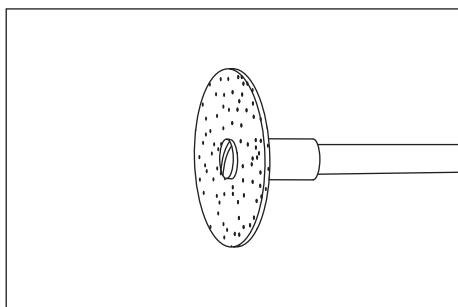
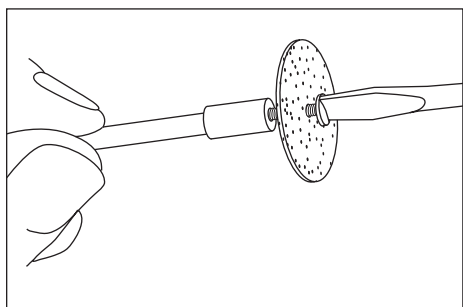
Balance the Lawn Mower Blade

Drive a nail into a beam or wall. Leave about one inch of straight nail exposed. Place the center hole of the blade over the head of the nail with the blade in a horizontal position. If the blade is balanced, it should remain in a horizontal position. If one side of the blade moves downward, use the grinding stone (without the guide) to remove small amounts of material from the very end of that side of the blade. Remove just enough material from the end to bring the blade to a balanced stop on the nail.

Replacing Screw Mandrel Accessories

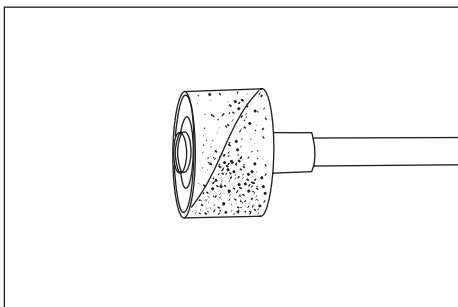
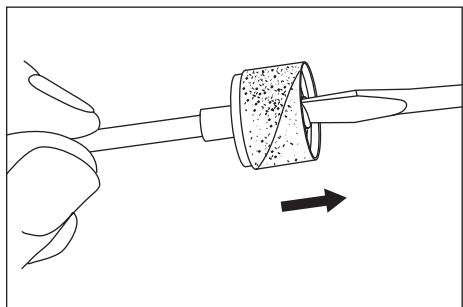


Mandrel 401 is used with the felt polishing tip and wheels. Thread the tip on to the screw carefully. The felt tip must thread down straight on the screw mandrel, and be turned all the way to the collar.



Mandrel 402 has a small screw at its tip, and is used with emery cutting wheels and sanding discs. Higher speeds, usually maximum, are best for most work, including cutting steel. Which is shown here.

⚠ WARNING Before each use, check to make certain that all components are assembled to accessory shank and that the drum is sufficiently expanded to secure the band during use. If sanding band is loose on the drum during operation it may “fly” off and strike you or bystanders.



To replace a band on the **407 Drum Sander**, loosen the screw without removing it to contract the drum then slide the old band off. Slide the new sanding band on and then expand the drum by tightening the screw once again.



Dremel® Limited Warranty

Your Dremel product is warranted against defective material or workmanship for a period of two years from date of purchase. In the event of a failure of a product to conform to this written warranty, please take the following action:

1. DO NOT return your product to the place of purchase.
2. Carefully package the product by itself, with no other items, and return it, freight prepaid, along with:
 - A. A copy of your dated proof of purchase (please keep a copy for yourself).
 - B. A written statement about the nature of the problem.
 - C. Your name, address and phone number to:

UNITED STATES

Dremel Repairs

173 Lawrence 428 Dock #2 OR
Walnut Ridge, AR 72476

CANADA

Giles Tool Agency
47 Granger Av.

M1K 3K9 1-416-287-3000

OUTSIDE CONTINENTAL UNITED STATES

See your local distributor or write to Dremel: 173 Lawrence 428 Dock #2, Walnut Ridge, AR 72476

We recommend that the package be insured against loss or in transit damage for which we cannot be responsible.

This warranty applies only to the original registered purchaser. DAMAGE TO THE PRODUCT RESULTING FROM TAMPERING, ACCIDENT, ABUSE, NEGLIGENCE, UNAUTHORIZED REPAIRS OR ALTERATIONS, UNAPPROVED ATTACHMENTS OR OTHER CAUSES UNRELATED TO PROBLEMS WITH MATERIAL OR WORKMANSHIP ARE NOT COVERED BY THIS WARRANTY.

No employee, agent, dealer or other person is authorized to give any warranties on behalf of Dremel. If Dremel inspection shows that the problem was caused by problems with material or workmanship within the limitations of the warranty, Dremel will repair or replace the product free of charge and return product prepaid. Repairs made necessary by normal wear or abuse, or repair for product outside the warranty period, if they can be made, will be charged at regular factory prices.

DREMEL MAKES NO OTHER WARRANTY OF ANY KIND WHATEVER, EXPRESSED OR IMPLIED, AND ALL IMPLIED WARRANTIES OF MERCHANTABILITY AND FITNESS FOR A PARTICULAR PURPOSE WHICH EXCEED THE ABOVE MENTIONED OBLIGATION ARE HEREBY DISCLAIMED BY DREMEL AND EXCLUDED FROM THIS LIMITED WARRANTY.

This warranty gives you specific legal rights and you may also have other rights which vary from state to state. The obligation of the warrantor is solely to repair or replace the product. The warrantor is not liable for any incidental or consequential damages due to any such alleged defect. Some states do not allow the exclusion or limitation of incidental or consequential damages, so the above limitations or exclusion may not apply to you.

For prices and warranty fulfillment in the continental United States, contact your local Dremel distributor.

Exported by: © Robert Bosch Tool Corporation Mt. Prospect, IL 60056 -2230, U.S.A.





Imported to Mexico by: Robert Bosch, S. de R.L. de C.V.

Robert Bosch Street No. 405 - 50071 Toluca, Edo. from Mex. - Mexico

Tel. 052 (722) 279 2300 ext 1160 / Fax. 052 (722) 216-6656

Symboles relatifs à la sécurité

Les définitions ci-dessous décrivent le niveau de gravité pour chaque terme signalant un danger. Veuillez lire le mode d'emploi et lire la signification de ces symboles.

	C'est le symbole d'alerte relatif à la sécurité. Il est utilisé pour vous avertir de l'existence possible d'un danger de lésion corporelle. Obéissez à tous les messages relatifs à la sécurité qui suivent ce symbole pour éviter tout risque de blessure ou même de mort.
	DANGER indique une situation dangereuse qui, si elle n'est pas évitée, causera la mort d'une personne ou une blessure grave.
	AVERTISSEMENT indique une situation dangereuse qui, si elle n'est pas évitée, pourrait causer la mort d'une personne ou une blessure grave.
	MISE EN GARDE indique une situation dangereuse qui, si elle n'est pas évitée, pourrait causer une blessure légère ou modérée.

Avertissements généraux concernant la sécurité des outils lectroportatifs

AVERTISSEMENT Lisez toutes les consignes de sécurité, instructions, illustrations et spécifications fournies avec cet outil électrique. Le non-respect de toutes les instructions figurant ci-après pourrait causer un choc électrique, un incendie et/ou des blessures graves.

CONSERVEZ TOUS LES AVERTISSEMENTS ET TOUTES LES CONSIGNES DE SÉCURITÉ POUR RÉFÉRENCE FUTURE.

Dans les avertissements, le terme « outil électroportatif » se rapporte à votre outil branché sur le secteur (avec fil) ou à votre outil alimenté par piles (sans fil).

1. Sécurité du lieu de travail

- Maintenez le lieu de travail propre et bien éclairé.** Les risques d'accident sont plus élevés quand on travaille dans un endroit encombré ou sombre.
- N'utilisez pas d'outils électroportatifs dans des atmosphères explosives, comme par exemple en présence de gaz, de poussières ou de liquides inflammables.** Les outils électroportatifs produisent des étincelles qui risquent d'enflammer les poussières ou les vapeurs.
- Éloignez les enfants et les visiteurs quand vous servez d'un outil électroportatif.** Vous risquez une perte de contrôle si on vous distrait.

2. Sécurité électrique

- Les fiches des outils électroportatifs doivent correspondre à la prise. Il ne faut absolument jamais modifier la fiche. N'utilisez pas d'adaptateur de prise avec des outils électroportatifs munis d'une fiche de terre.** Le risque de choc électrique est moindre si on utilise une fiche non modifiée sur une prise qui lui correspond.
- Évitez tout contact du corps avec des surfaces reliées à la terre tels que tuyaux, radiateurs, gazinières ou réfrigérateurs.** Le risque de choc électrique augmente si votre corps est relié à la terre.

- N'exposez pas les outils électroportatifs à la pluie ou à l'humidité.** Si de l'eau pénètre dans un outil électroportatif, le risque de choc électrique augmente.
- Ne maltraitez pas le cordon. Ne vous en servez jamais pour transporter l'outil électroportatif, pour le tirer ou pour le débrancher. Éloignez le cordon de la chaleur, des huiles, des arêtes coupantes ou des pièces mobiles.** Les cordons abîmés ou emmêlés augmentent les risques de choc électrique.
- Si vous utilisez un outil électroportatif à l'extérieur, employez une rallonge conçue pour l'extérieur.** Ces rallonges sont faites pour l'extérieur et réduisent le risque de choc électrique.
- S'il est absolument nécessaire d'utiliser l'outil électroportatif dans un endroit humide, utilisez une alimentation protégée par un disjoncteur de fuite de terre (GFCI).** L'utilisation d'un disjoncteur GFCI réduit les risques de choc électrique.

3. Sécurité personnelle

- Restez concentré, faites attention à ce que vous faites, et servez-vous de votre bon sens lorsque vous utilisez un outil électroportatif. N'employez pas d'outils électroportatifs quand vous êtes fatigué ou sous l'emprise de drogues, d'alcool ou de médicaments.** Quand on utilise des outils électroportatifs, il suffit d'un moment d'inattention pour causer des blessures corporelles graves.

Avertissements généraux concernant la sécurité des outils lectroportatifs

- b. **Utilisez des équipements de sécurité personnelle. Portez toujours une protection oculaire.** Le port d'équipements de sécurité tels que des masques antipoussières, des chaussures de sécurité antidérapantes, des casques de chantier et des protecteurs d'oreilles dans des conditions appropriées réduira le risque de blessure corporelle.
- c. **Évitez les démarrages intempestifs. Assurez-vous que l'interrupteur est dans la position arrêt (Off) avant de brancher l'outil dans une prise de courant et/ou un bloc-piles, de le ramasser ou de le transporter.** Le transport d'un outil électroportatif avec le doigt sur la gâchette ou le branchement de cet outil quand l'interrupteur est en position de marche (ON) est une invite aux accidents.
- d. **Enlevez toutes les clés de réglage avant de mettre l'outil électroportatif en marche.** Si on laisse une clé sur une pièce tournante de l'outil électroportatif, il y a risque de blessure corporelle.
- e. **Ne vous penchez pas. Conservez toujours une bonne assise et un bon équilibre.** Ceci vous permettra de mieux maîtriser l'outil électroportatif dans des situations inattendues.
- f. **Habilitez-vous de manière appropriée. Ne portez pas de vêtements amples ou de bijoux. N'approchez pas les cheveux, les vêtements des pièces en mouvement.** Les vêtements amples, les bijoux ou les cheveux longs risquent d'être happés par les pièces en mouvement.
- g. **Si l'outil est muni de dispositifs permettant le raccordement d'un système d'aspiration et de collecte des poussières, assurez-vous que ces dispositifs sont raccordés et utilisés correctement.** L'utilisation d'un dépoussiéreur peut réduire les dangers associés à l'accumulation de poussière.
- h. **Ne laissez pas la familiarité résultant de l'utilisation fréquente des outils vous inciter à devenir complaisant(e) et à ignorer les principes de sécurité des outils.** Une action négligente pourrait causer des blessures graves en une fraction de seconde.
- b. **Ne vous servez pas de l'outil électroportatif si son interrupteur ne parvient pas à le mettre en marche ou à l'arrêter.** Tout outil électroportatif qui ne peut pas être commandé par son interrupteur est dangereux et doit être réparé.
- c. **Débranchez la fiche de la prise secteur et/ou retirez le bloc-piles de l'outil électrique (s'il est amovible) avant d'y apporter de quelconques modifications, de changer d'accessoire ou de ranger l'outil électrique.** De telles mesures de sécurité préventive réduisent le risque de démarrage intempestif de l'outil électroportatif.
- d. **Rangez les outils électroportatifs dont vous ne vous servez pas hors de portée des enfants et ne permettez pas à des personnes qui ne connaissent pas l'outil électroportatif ou qui ignorent ces consignes de s'en servir.** Les outils électroportatifs sont dangereux dans les mains d'utilisateurs inexpérimentés.
- e. **Entretenez de façon appropriée les outils électriques et les accessoires. Assurez-vous que les pièces en mouvement sont bien alignées et qu'elles ne se coincent pas, qu'il n'y a pas de pièces cassées ou qu'il n'existe aucune situation pouvant affecter le fonctionnement de l'outil électrique. Si l'outil est abîmé, faites-le réparer avant de l'utiliser.** De nombreux accidents sont causés par des outils électroportatifs mal entretenus.
- f. **Maintenez les outils coupants affûtés et propres.** Les outils coupants entretenus correctement et dotés de bords tranchants affûtés sont moins susceptibles de coincer et sont plus faciles à maîtriser.
- g. **Utilisez l'outil électroportatif, les accessoires et les embouts d'outil, etc. conformément à ces instructions, en tenant compte des conditions de travail et des travaux à réaliser.** L'emploi d'outils électroportatifs pour des tâches différentes de celles pour lesquelles ils ont été prévus peut résulter en une situation dangereuse.
- h. **Gardez les poignées et les surfaces de préhension propres, sèches et exemptes de toute trace d'huile ou de graisse.** Les poignées et les surfaces de préhension glissantes ne permettent pas une manipulation et un contrôle sûrs de l'outil dans des situations inattendues.

4. Utilisation et entretien des outils électroportatifs

- a. **Ne forcez pas sur l'outil électroportatif. Utilisez l'outil électroportatif qui convient à la tâche à effectuer.** L'outil qui convient à la tâche fait un meilleur travail et est plus sûr à la vitesse pour lequel il a été conçu.

5. Entretien

- a. **Faites réparer votre outil électroportatif par un agent de service qualifié n'utilisant que des pièces de rechange identiques.** Ceci assure que la sécurité de l'outil électroportatif est préservée.

Consignes de sécurité pour outils rotatifs

1. Avertissements relatifs à la sécurité communs aux opérations de meulage, de ponçage, de passage à la brosse métallique, de polissage, de ciselage et de tronçonnage abrasif :

- a. **Cet outil électroportatif est conçu pour fonctionner comme outil adapté aux opérations de meulage, de ponçage, de passage à la brosse métallique, de polissage, de ciselage ou de tronçonnage.** Lisez l'ensemble des avertissements relatifs à la sécurité, des instructions, des illustrations et des spécifications accompagnant cet outil électroportatif. Le non-respect de toutes les instructions figurant ci-dessous pourrait causer un choc électrique, un incendie et/ou une blessure grave.
- b. **N'utilisez pas d'accessoires qui ne sont pas conçus et recommandés spécifiquement par le fabricant de l'outil.** Le simple fait que l'accessoire puisse être connecté à votre outil électroportatif ne suffit pas à garantir un fonctionnement sans danger.
- c. **La VITESSE NOMINALE des accessoires doit être au moins égale à la vitesse maximum indiquée sur l'outil électroportatif.** Si des accessoires fonctionnent à une vitesse supérieure à leur VITESSE NOMINALE, ils risquent de se casser et d'être projetés dans l'air.
- d. **Le diamètre extérieur et l'épaisseur de votre accessoire doivent être compris dans la capacité nominale de votre outil électromécanique.** Des accessoires de taille incorrecte ne peuvent pas être contrôlés de façon adéquate.
- e. **La taille de l'axe de rotation des meules, des tambours de ponçage ou de tous autres accessoires doit correspondre exactement à celle de l'axe de rotation ou à la douille de l'outil électroportatif.** Les accessoires qui ne correspondent pas à la taille du matériel de montage de l'outil électroportatif fonctionneront de manière déséquilibrée, avec des vibrations excessives, et ils risqueraient de causer une perte de contrôle.
- f. **Les MEULES MONTÉES à mandrin, ainsi que les cylindres de contact, les outils de coupe ou autres accessoires doivent être totalement insérés dans la douille ou le mandrin.** Si le mandrin n'est pas suffisamment maintenu et/ou si le porte-à-faux de la meuleuse est trop long, la MEULE MONTÉE risque de se détacher et d'être éjectée violemment.
- g. **N'utilisez pas un accessoire endommagé.** Avant chaque utilisation, inspectez l'accessoire (p. ex., une meule abrasive pour vous assurer qu'il n'y a pas de fissures ou d'éclats, un tambour de ponçage pour vous assurer qu'il n'est pas fissuré ou excessivement usé,

ou une brosse métallique pour vous assurer qu'elle ne comporte pas de fils desserrés ou fissurés). Si vous avez laissé tomber l'outil ou l'accessoire, inspectez-le pour vous assurer qu'il n'est pas endommagé ou installez un accessoire qui n'est pas endommagé. Après avoir inspecté et installé un accessoire, placez-vous (et toutes autres personnes présentes) hors de la trajectoire prévisible de l'accessoire en rotation, et faites fonctionner l'outil électroportatif à la vitesse maximum à vide pendant une minute. Des accessoires endommagés se briseraient normalement avant la fin de la durée de ce test.

- h. **Portez des équipements de protection personnelle.** Selon l'application, utilisez un écran de protection du visage, des lunettes de protection ou des lunettes de sécurité. Suivant les besoins, portez également un masque de protection contre la poussière, des protecteurs d'oreilles, des gants et un tablier d'atelier capable d'intercepter des petits objets ou fragments d'ouvrage abrasifs. Le dispositif de protection des yeux doit être capable d'intercepter des débris volants projetés par diverses opérations. L'appareil respiratoire ou le masque de protection doit être capable de filtrer les particules produites par votre opération. Une exposition prolongée à un bruit de haute intensité peut causer une perte auditive.
- i. **Veillez à ce que toutes les personnes présentes soient à une distance de sécurité de la zone de travail.** Toute personne entrant dans la zone de travail doit porter des équipements de protection personnelle. Des fragments d'ouvrage ou d'un accessoire cassé pourraient être projetés violemment et causer des blessures au-delà de la zone d'opération immédiate.
- j. **Tenez seulement l'outil électroportatif par ses surfaces de préhension isolées lorsque vous effectuez une opération lors de laquelle l'accessoire de coupe peut entrer en contact avec des câbles cachés ou son propre cordon d'alimentation.** L'entrée en contact d'un accessoire de coupe avec un fil sous tension pourrait rendre conductrices des parties en métal exposées de l'outil électroportatif et causer un choc électrique à l'opérateur.
- k. **Tenez toujours l'outil fermement à la main (ou avec les deux mains) lors de la mise en marche.** Le couple de réaction du moteur, lorsqu'il passe à la vitesse maximale, risque de causer une rotation accidentelle de l'outil.
- l. **Utilisez des brides de fixation pour soutenir l'ouvrage chaque fois que cela est possible.** Ne tenez jamais un ouvrage de petites dimensions d'une main et l'outil de l'autre main lorsque ce dernier est en marche. L'assujettissement d'un ouvrage de petites dimensions vous permet d'utiliser votre main ou vos

Consignes de sécurité pour outils rotatifs

deux mains pour mieux contrôler l'outil. Des objets ronds tels que des tiges, des tuyaux ou des tubes ont tendance à rouler lorsqu'ils sont coupés, ce qui peut coincer l'embout ou le faire sauter dans votre direction.

- m. Positionnez le cordon à une distance suffisante de l'accessoire en rotation.** En cas de perte de contrôle, le cordon risquerait d'être coupé ou coincé, et votre main ou votre bras pourrait être attiré dans l'accessoire en rotation.
- n. Ne posez jamais l'outil électroportatif avant que l'accessoire se soit totalement arrêté.** L'accessoire en rotation risquerait d'accrocher la surface et de tirer sur l'outil, vous faisant perdre le contrôle de l'outil électroportatif.
- o. Après avoir changé un embout ou effectué un réglage, veillez à ce que l'écrou de fixation de la douille ou tout autre dispositif de fixation soit solidement attaché.** Des dispositifs de fixation mal serrés pourraient changer
- p. de position de manière imprévisible et causer une perte de contrôle, auquel cas les composants en rotation**
- q. mal assujettis se détacheraient et seraient projetés violemment.**
- r. Ne laissez pas l'outil électroportatif en marche pendant que vous le transportez.** Un contact accidentel avec l'accessoire pourrait lui faire accrocher vos vêtements, attirant ainsi l'accessoire vers votre corps et risquant de vous blesser.
- s. Nettoyez régulièrement les événements d'aération de l'outil électroportatif.** Le ventilateur du moteur attirera de la poussière à l'intérieur du carter, et une accumulation excessive de métal en poudre pourrait causer des dangers électriques.
- t. N'utilisez pas l'outil électroportatif à proximité de matériaux inflammables.** Des étincelles risqueraient de mettre le feu à ces matériaux.
- u. N'utilisez pas d'accessoires qui nécessitent des liquides de refroidissement.** L'utilisation d'eau ou d'autres liquides de refroidissement pourrait causer une électrocution ou un choc électrique.
- v. Utilisez seulement dans un endroit bien ventilé.** Travailler dans un environnement sécurisé réduit les risques de blessures.
- w. Prévoyez suffisamment d'espace, au moins 15 cm, entre votre main et la mèche en train de tourner.** Maintenez toutes les parties de votre corps à une distance suffisante de la mèche en rotation. La proximité de la mèche en rotation par rapport à votre main n'est pas toujours évidente.

- x. Ne touchez pas la mèche ou la douille tout de suite après avoir utilisé l'outil.** Après l'emploi, la mèche et la douille sont trop chaudes pour que l'on puisse les toucher avec les mains nues.
- y. Ne modifiez pas l'outil et ne le soumettez pas à un usage abusif.** Toute altération ou modification est considérée comme une utilisation inappropriée et pourrait entraîner des blessures graves.
- z. Ce produit n'a pas été conçu pour une utilisation comme foret dentaire ou pour d'autres applications médicales ou vétérinaires.** Cela risquerait de causer des blessures graves.

2. Avertissements concernant l'effet de rebond et avertissements associés

L'effet de rebond est une réaction soudaine à un pincement ou à l'accrochage d'une meule, d'un plateau porte-disque, d'une brosse ou de tout autre accessoire en rotation. Le pincement ou l'accrochage cause un blocage rapide de l'accessoire en rotation, ce qui, à son tour, cause la projection de l'outil électroportatif qui n'est plus contrôlé dans le sens opposé à celui de la rotation de l'accessoire.

Par exemple, si une meule abrasive est accrochée ou pincée par l'ouvrage, le bord de la meule qui entre dans le point de pincement peut s'enfoncer dans la surface du matériau et causer un choc en retour, étant éjectée violemment du matériau. La meule peut alors être projetée vers l'opérateur, ou dans le sens contraire, en fonction du sens du mouvement de la meule au point de pincement. Les meules abrasives risquent également de se casser dans de telles circonstances.

L'effet de rebond est la conséquence d'une utilisation incorrecte de l'outil électroportatif et/ou de conditions ou de procédures d'utilisation incorrectes ; il peut être évité si l'on prend les précautions appropriées, comme indiqué ci-dessous.

- a. Maintenez une prise ferme sur l'outil électroportatif et positionnez votre corps et vos bras de façon à vous permettre de résister à la force d'un tel effet de rebond éventuel.** L'opérateur peut contrôler les forces des effets de rebond s'il prend les précautions nécessaires.
- b. Faites particulièrement attention lorsque vous travaillez dans des coins, sur des bords tranchants, etc.** Évitez de faire rebondir l'accessoire ou de le laisser s'accrocher. Les coins, les bords tranchants et les rebondissements ont tendance à accrocher un accessoire en rotation et de causer une perte de contrôle ou un choc en retour.
- c. N'attachez pas une lame de scie dentelée.** De telles lames causent souvent des effets de rebond et des pertes de contrôle.

SAVE THESE INSTRUCTIONS

23

Consignes de sécurité pour outils rotatifs

- d. **Faites toujours pénétrer l'embout dans le matériau dans le même sens que celui dans lequel le bord coupant en ressort (qui est le même sens que celui dans lequel les copeaux sont projetés).** Si l'embout pénètre dans le matériau dans le mauvais sens, le bord coupant de l'embout risque d'être éjecté de l'ouvrage et d'attirer l'outil dans le sens de pénétration de l'embout.
- e. **Lorsque vous utilisez des limeuses, des meules de tronçonnage, des outils de coupe à haute vitesse ou des outils de coupe au carbure de tungstène rotatifs, utilisez toujours des brides de fixation pour immobiliser l'ouvrage de façon sécurisée.** Ces meules s'accrocheront si elles sont légèrement inclinées dans la rainure, et un choc en retour est possible. Quand une meule de tronçonnage est accrochée, elle se casse la plupart du temps. Quand une limeuse, un outil de coupe à haute vitesse ou un outil de coupe au carbure de tungstène rotatif est accroché, il risque de sortir de la rainure et de vous faire perdre le contrôle de l'outil.

3. Avertissements relatifs à la sécurité pour les opérations de meulage et de tronçonnage abrasif :

- a. **N'utilisez que les types de meules qui sont recommandés pour votre outil électroportatif et pour certaines applications.** Par exemple : ne meulez pas avec le côté d'une meule de tronçonnage. Comme les meules de tronçonnage abrasif sont conçues pour un meulage périphérique, les forces latérales appliquées sur ces meules pourraient les faire éclater.
- b. **Pour les cônes et les tampons abrasifs filetés, utilisez seulement des mandrins de meules en bon état avec une bride de fixation d'épaulement de la taille et de la longueur nécessaires.** L'utilisation de mandrins appropriés réduira le risque de cassure.
- c. **Ne coincez pas une meule de tronçonnage et n'appliquez pas une pression excessive sur une telle meule.** Ne tentez pas de réaliser une coupe de profondeur excessive. Ceci causerait une augmentation de la charge et le risque de voir la meule se tordre ou s'accrocher dans la rainure, avec comme conséquence possible un choc en retour ou la cassure de la meule.
- d. **Ne positionnez pas votre main dans la trajectoire de la meule en rotation ou derrière celle-ci.** Lorsque la meule, au point de fonctionnement, s'éloigne de votre main, l'effet de rebond possible pourrait propulser la meule en rotation et l'outil électroportatif directement vers vous.
- e. **Lorsque la meule est pincée ou accrochée, ou quand une opération de coupe est interrompue pour quelque raison que ce soit, mettez l'outil électroportatif hors tension et tenez-le en position fixe**

jusqu'à ce que la meule s'arrête complètement. Ne tentez jamais de faire sortir la meule de tronçonnage de la rainure pendant qu'elle est toujours en train de tourner, car cela pourrait causer un choc en retour. Effectuez une inspection de la situation et prenez des mesures correctives pour éliminer la cause du pincement ou de l'accrochage de la meule.

- f. **Ne recommencez pas à couper dans l'ouvrage immédiatement.** Attendez que la meule atteigne sa vitesse normale et introduisez-la alors à nouveau dans l'ouvrage en prenant les précautions nécessaires. La meule risquerait de se coincer, de sortir de la rainure ou de causer un choc en retour si l'outil électroportatif était remis en marche alors qu'elle se trouvait toujours dans l'ouvrage.
- g. **Supportez les panneaux ou les ouvrages de grande taille afin de minimiser le risque de pincement de la meule et de choc en retour.** Les ouvrages de grande taille ont tendance à s'affaisser sous leur propre poids. Des supports doivent être placés sous ces ouvrages, à proximité de la ligne de coupe et près du bord de l'ouvrage, des deux côtés de la meule.
- h. **Prenez encore plus de précautions lorsque vous découpez une cavité dans des murs existants ou dans d'autres endroits sans visibilité.** La meule saillante risque de couper une canalisation d'eau ou de gaz, des fils électriques ou des objets pouvant causer un choc en retour.

4. Avertissements relatifs à la sécurité pour les opérations avec des brosses métalliques :

- a. **Tenez toujours compte du fait que des poils des brosses se détachent et sont projetés par les brosses même dans des conditions de fonctionnement normales.** N'aggravez pas ce problème en faisant pression excessivement sur la brosse. Les poils d'une brosse métallique ainsi projetés peuvent facilement s'enfoncer dans des vêtements légers et/ou dans la peau.
- b. **Laissez les brosses fonctionner à la vitesse normale pendant au moins une minute avant de les utiliser.** Pendant ce temps personne ne doit se tenir devant la brosse ou dans sa trajectoire possible. Des fils ou poils lâches seront déchargés pendant cette période de fonctionnement initiale.
- c. **Dirigez la décharge de la brosse métallique en rotation dans le sens opposé à l'endroit où vous vous trouvez.** De petites particules et de minuscules fragments de fils peuvent être déchargés à haute vitesse pendant l'utilisation de ces brosses et risquent de s'enfoncer dans votre peau.

Avertissements supplémentaires concernant la sécurité

L'emploi d'un GFCI et de dispositifs de protection personnelle tels que gants et chaussures d'électricien en caoutchouc améliorent votre sécurité personnelle.

N'utilisez pas un outil conçu uniquement pour le C.A. sur une alimentation en C.C. Même si l'outil semble fonctionner, les composants électriques d'un outil prévu pour le C.A. tomberont probablement en panne et risquent de créer un danger pour l'utilisateur.

Maintenez les poignées sèches et exemptes d'huile et de graisse. On ne peut maîtriser un outil électroportatif en toute sécurité quand on a les mains glissantes.

Utilisez des brides ou d'autres moyens pratiques de brider ou de supporter la pièce sur une plate-forme stable. Tenir la pièce à la main ou contre le corps est instable et risque de résulter en une perte de contrôle.

Créez un agenda d'entretien périodique pour votre outil. Quand vous nettoyez un outil, faites attention de n'en démonter aucune pièce car il est toujours possible de mal remonter ou de pincer les fils internes ou de remonter incorrectement les ressorts de rappel des capots de protection. Certains agents de nettoyage tels que l'essence, le tétrachlorure de carbone, l'ammoniaque, etc. risquent d'abîmer les plastiques.

Risque de blessure pour l'utilisateur. Le cordon d'alimentation électrique ne doit être réparé que par un Centre de service usine de Dremel ou à un centre de service après-vente Dremel agréé.

⚠ AVERTISSEMENT Les travaux à la machine tel que ponçage, sciage, meulage, perçage et autres travaux du bâtiment peuvent créer des poussières contenant des produits chimiques qui sont des causes reconnues de cancer, de malformation congénitale ou d'autres problèmes reproductifs. Ces produits chimiques sont, par exemple :

- Le plomb provenant des peintures à base de plomb,
- Les cristaux de silices provenant des briques et du ciment et d'autres produits de maçonnerie, et
- L'arsenic et le chrome provenant des bois traités chimiquement.

Le niveau de risque dû à cette exposition varie avec la fréquence de ces types de travaux. Pour réduire l'exposition à ces produits chimiques, il faut travailler dans un lieu bien ventilé et porter un équipement de sécurité approprié tel que certains masques à poussière conçus spécialement pour filtrer les particules microscopiques.

Spécifications

Numéro de modèle	3100
Intensité nominale	120V ~ 60Hz
Ampérage nominal	1,2A
Vitesse nominale	n 5 000-35 000/min
Capacités de la douille	0,8 mm, 1,6 mm, 2,4 mm, 3,2 mm

REMARQUE : Pour spécifications de l'outil, reportez-vous à la plaque signalétique de votre outil.


Emploi prévu

Cet outil rotatif manuel à fil est destiné à la sculpture/gravure, au défonçage, à l'affûtage, au meulage, à la coupe, au nettoyage, au polissage, au ponçage, à l'élimination du coulis et au perçage des bois tendres et durs, des strati-

fiés, des plastiques, de l'acier, de l'aluminium, du laiton, du cuivre, des coquillages, de la pierre, de la céramique et des matériaux en verre.

Symboles

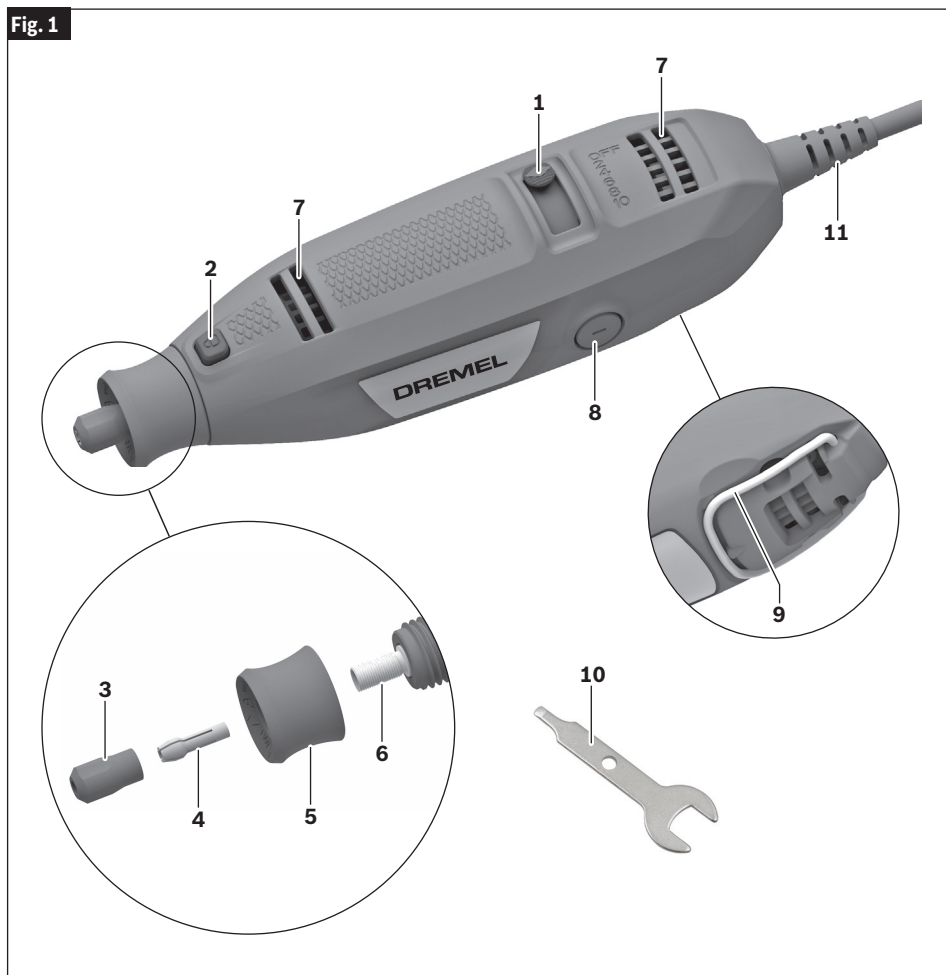
IMPORTANT : Certains des symboles suivants peuvent être utilisés sur votre outil. Veuillez les étudier et apprendre leur signification. Une interprétation appropriée de ces symboles vous permettra d'utiliser l'outil de façon plus efficace et plus sûre.

Symbole	Désignation / Explication
V	Volts (voltage)
A	Ampères (courant)
Hz	Hertz (fréquence, cycles par seconde)
∅	Diamètre (taille des mèches de perceuse, meules, etc.)
n	Vitesse nominale (vitesse maximum pouvant être atteinte)
.../min	Tours ou mouvement alternatif par minute (tours, coups, vitesse en surface, orbites, etc., par minute)
0	Position d'arrêt (vitesse zéro, couple zéro ...)
1, 2, 3, ... I, II, III,	Réglages du sélecteur (Réglages de vitesse, de couple ou de position. Un nombre plus élevé signifie une vitesse plus grande)
➔	Flèche (action dans la direction de la flèche)
~	Courant alternatif (type ou caractéristique du courant)
□	Construction classe II (désigne des outils construits avec double isolation)
	Ce symbole signifie que cet outil est approuvé par l'Association canadienne de normalisation selon les normes des États-Unis et du Canada.

Description fonctionnelle et spécifications

Outil rotatif à grande vitesse Modèle 3100

Fig. 1



- 1 Interrupteur de marche/arrêt
- 2 Bouton de blocage de l'arbre
- 3 Écrou de douille
- 4 Douille
- 5 Capuchon avant à clé intégrée ez twist™
- 6 Arbre

- 7 Ouvertures de ventilation
- 8 Couverture de brosse (un de chaque côté)
- 9 Bride de suspension
- 10 Clé à douille
- 11 Cordon

Assemblage

⚠ AVERTISSEMENT

Débranchez toujours l'outil rotatif avant de changer les accessoires ou les douilles, ou de faire l'entretien de votre outil rotatif.

Écrou de douille

⚠ MISE EN GARDE

N'appuyez pas sur le bouton de blocage de l'arbre pendant que l'outil rotatif est en marche.

(Fig. 2, 3)

Pour desserrer l'écrou de douille **3**, appuyez d'abord sur le bouton de blocage **2** de l'arbre et tournez l'arbre à la main jusqu'à ce que le dispositif de blocage engage l'arbre, empêchant ainsi toute rotation ultérieure (Fig. 2).

L'arbre étant bloqué **2**, utilisez la clé à douille **10** pour desserrer l'écrou de douille **3**, au besoin. L'écrou de douille doit être engagé sans serrer lors de l'insertion d'un accessoire.

Changez les accessoires en insérant le nouvel accessoire le plus loin possible dans la douille de serrage, réduisant ainsi les risques d'éjection ou de déséquilibre.

Certaines applications bénéficient d'avoir l'accessoire monté partiellement prolongé de la douille. Veiller à ce que l'accessoire ne dépasse pas $1/2 h$ dans ces cas (Fig. 3).

L'arbre étant bloqué, serrez à la main l'écrou de douille jusqu'à ce que la tige de l'accessoire soit retenue solidement par la douille. **Évitez de serrer l'écrou de douille trop fort quand il n'y a pas d'embout.**

Capuchon avant à clé intégrée ez twist™

(Fig. 3)

Le capuchon avant de votre outil comporte une clé intégrée qui vous permet de serrer et de desserrer l'écrou de douille sans avoir besoin d'utiliser une clé à douille standard.

Dévissez le capuchon avant **5** de l'outil, alignez la pièce amovible en acier à l'intérieur du capuchon avec l'écrou de douille **3**. Après avoir engagé le mécanisme de blocage de l'arbre, tournez le capuchon avant dans le sens des aiguilles d'une montre pour serrer ou dans le sens contraire des aiguilles d'une montre pour desserrer.

Fig. 2

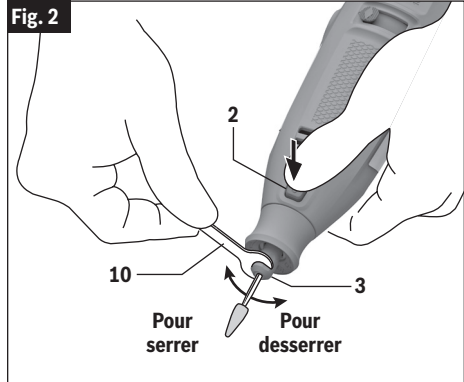


Fig. 3

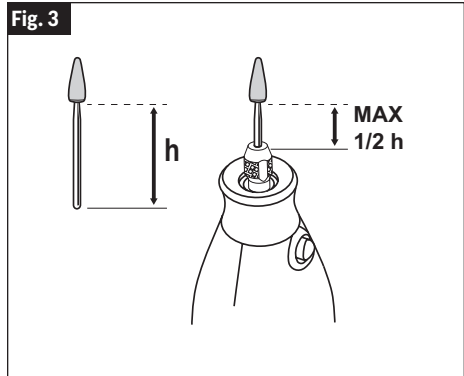
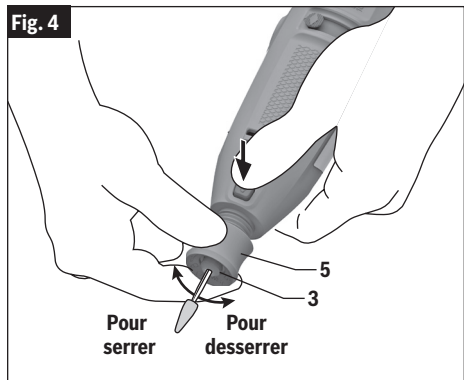


Fig. 4



Assemblage

Équilibrage des accessoires

Pour le travail de précision, il est important que tous les accessoires soient bien équilibrés (tout comme les pneus de votre voiture). Pour rectifier ou équilibrer un accessoire, desserrez légèrement l'écrou de la douille, et tournez l'accessoire ou la douille d'un quart de tour. Resserrez l'écrou de la douille et mettez l'outil rotatif en marche. Le son qui se fait entendre et le maniement de l'outil devraient vous indiquer si l'accessoire est bien équilibré. Continuez l'ajustement de cette façon jusqu'à ce que vous obteniez le meilleur équilibre.

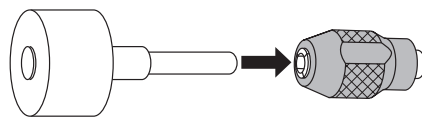
Dégagement de douilles coincées

(Fig. 5)

Il est possible qu'une douille se coince dans l'écrou, tout particulièrement si un écrou est serré sur l'outil sans que le foret ne soit en place.

Dans un tel cas, la douille peut être dégagée de son écrou en poussant la tige d'un accessoire dans l'orifice de l'écrou de la douille. Ceci devrait causer l'éjection de la douille de son écrou.

Fig. 5



Crochet de suspension

(Fig. 1)

Le crochet de suspension **9** est fourni pour y placer votre outil pendant que vous utilisez l'attache d'arbre flexible 225 ou pour le rangement de l'outil. Le crochet de suspension **9** peut être détaché de l'outil pour le suspendre, mais il doit être remis en place sous le cordon pour ne pas affecter l'utilisation de l'outil.

Consignes de fonctionnement

⚠ AVERTISSEMENT

Débranchez toujours la fiche de la prise de courant avant de procéder à un assemblage, à des réglages ou à des changements d'accessoires. De telles mesures de sécurité préventives réduisent le risque de démarrage accidentel de l'outil.

⚠ AVERTISSEMENT

Prenez toujours les précautions suivantes et conformez-vous également aux consignes de sécurité figurant aux pages 20 à 25. Sans cela, vous risqueriez de causer des dommages aux équipements, des dommages aux biens ou des blessures corporelles.

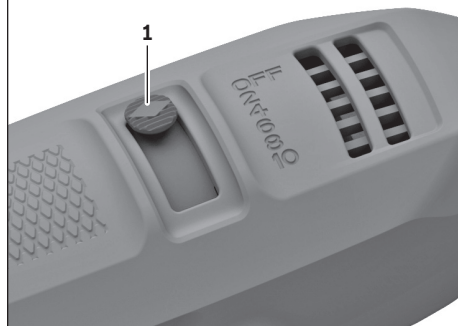
⚠ MISE EN GARDE

Chaque fois que vous prenez l'outil, veillez à ne pas couvrir les trous d'aération avec votre main, ce qui a pour effet d'empêcher l'air de circuler à l'intérieur et ainsi faire surchauffer le moteur.

Interrupteur de marche/arrêt coulissant

L'outil est mis en marche en faisant glisser le sélecteur de vitesse **1** de la position marquée « OFF » (Arrêt) à l'un des paramètres de réglage de la vitesse.

Fig. 6



Consignes de fonctionnement

Sélection de la vitesse de l'outil

Utilisez une pièce d'essai afin de sélectionner la vitesse convenant à chaque tâche.

La vitesse de l'outil rotatif est contrôlée en faisant glisser l'interrupteur de marche/arrêt **1** sur le boîtier illustré à la Figure 6. Les indicateurs de réglage de l'interrupteur sont marqués d'un trait. Faites glisser vers le numéro figurant sur le boîtier pour sélectionner la vitesse de fonctionnement nécessaire, entre 5 000 et 35 000 tr/min.

Vous pouvez consulter les tableaux des page 33 pour déterminer la vitesse appropriée en fonction des matériaux et du type d'accessoire utilisé. Ces tableaux vous permettent de sélectionner d'un coup d'œil tant l'accessoire correct que la vitesse optimale.

Réglages pour le nombre approximatif de tours/minute	
Réglage de l'interrupteur	Plage de vitesses
2	5 000 – 8 000 RPM
*4	9 000 – 15 000 RPM
6	16 000 – 21 000 RPM
8	22 000 – 27 000 RPM
10	28 000 – 35 000 RPM

* réglage pour brosse métallique

Nécessité de vitesses plus lentes

Cependant, certains matériaux (certains plastiques et métaux précieux, par exemple) nécessitent une vitesse relativement lente parce que la friction de l'accessoire à haute vitesse produit de la chaleur et peut endommager le matériau.

Les vitesses lentes (15 000 tr/min ou moins) conviennent généralement mieux aux travaux délicats tels que la sculpture sur bois et le travail sur les pièces de maquettes fragiles. **Toutes les applications de brossage nécessitent une vitesse plus faible pour éviter que les fils de fer ne soient éjectés du moyeu de la brosse.** Consultez le tableau des paramètres de vitesse pour connaître les vitesses de fonctionnement recommandées.

Des vitesses plus élevées sont préférables pour graver, couper, défoncer et texturer.

Les bois durs, les métaux et le verre nécessitent une vitesse élevée, tout comme le perçage qui doit également être effectué à haute vitesse.

Vous pouvez exécuter la plupart des tâches avec l'outil à vitesse simple en utilisant sa vitesse régulière de 35 000 tours/minute. Cependant, pour certains matériaux et certains types de tâches, vous aurez besoin d'une vitesse

moindre – ce qui est la raison pour laquelle les modèles à vitesse variable sont proposés.

Il ne suffit pas d'accroître la pression sur l'outil lorsqu'il ne coupe pas à votre satisfaction. Peut-être devriez-vous utiliser un accessoire différent, et peut-être qu'un ajustement de vitesse solutionnerait le problème. Faire pression sur l'outil n'est d'aucune aide.

⚠ MISE EN GARDE N'utilisez pas de régulateurs de vitesse externes, car cela pourrait endommager l'électronique de l'outil.

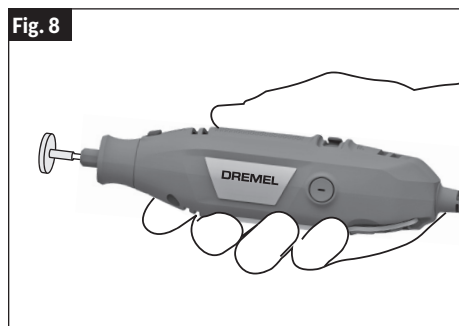
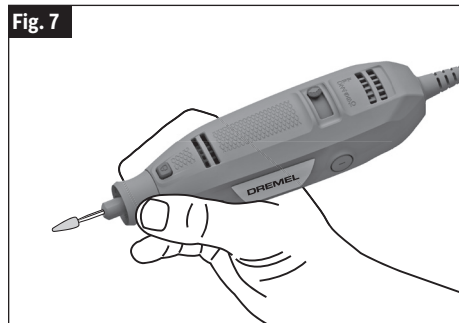
Utilisation de l'outil rotatif

(Fig. 7, 8)

Tenez toujours l'outil éloigné de votre visage. Certains accessoires peuvent avoir été endommagés durant la manutention et peuvent alors se séparer en morceaux lorsqu'ils atteignent une certaine vitesse. Ceci ne survient pas fréquemment, mais il vaut mieux prévenir.

Pour obtenir un meilleur contrôle dans le travail de précision, tenez l'outil rotatif comme un crayon, entre le pouce et l'index (Fig. 7).

La méthode de maintien de l'outil dans la « paume de la main » s'utilise pour des opérations plus énergiques, comme le meulage de surfaces planes ou l'utilisation de disques de découpage (Fig. 8).



Renseignements sur l'entretien

⚠ AVERTISSEMENT Pour éviter le risque d'accidents, débranchez toujours l'outil de la prise de courant avant de procéder au nettoyage ou à l'entretien.

Entretien

⚠ AVERTISSEMENT L'entretien préventif effectué par des employés non autorisés peut entraîner un positionnement erroné des composants et des fils internes, et ainsi causer des dangers sévères. Nous recommandons que tous les travaux d'entretien de l'outil soient effectués dans un centre de service après-vente Dremel.

Maintenance générale

Le moteur dans votre outil a été conçu pour fonctionner sans problème pendant de nombreuses heures d'utilisation. Pour maintenir le rendement optimal du moteur, nous recommandons d'examiner les balais toutes les 40-50 heures. Si votre outil fonctionne de manière sporadique, perd de la puissance, émet des bruits inhabituels ou fonctionne à une vitesse réduite, inspectez les balais. N'utilisez que des balais de remplacement Dremel authentiques conçus pour votre outil particulier.

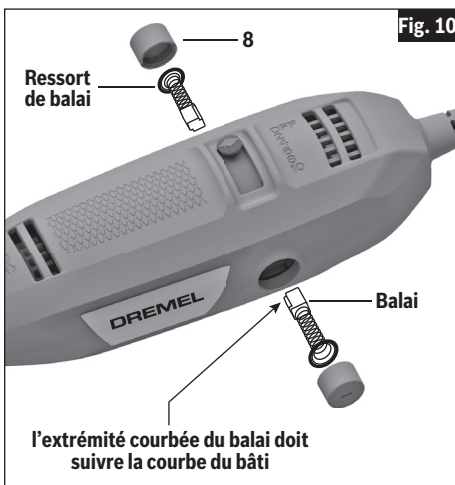
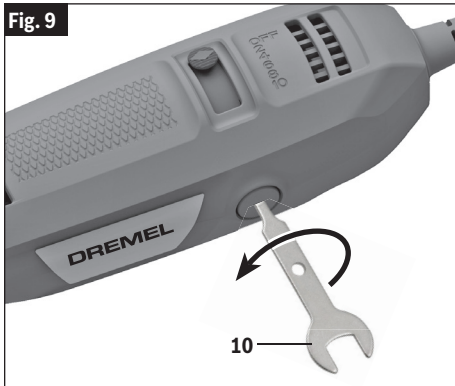
⚠ MISE EN GARDE L'utilisation continue de l'outil avec des balais usés endommagera l'outil de façon permanente.

(Fig. 9, 10)

Pour commander des balais de carbone de remplacement pour votre moteur, veuillez contacter le Service à la clientèle de Dremel : 1-800-437-3635.

Procédez comme suit pour vérifier/remplacer les brosses de l'outil rotatif.

- Après avoir débranché le cordon d'alimentation, placez l'outil sur une surface propre. Utilisez l'extrémité tournevis de la clé **10** fournie pour retirer les couvercles des balai **8** en tournant dans le sens inverse des aiguilles d'une montre (Fig. 9).
- Retirez les balais de l'outil en tirant sur les ressorts qui sont fixés aux balais en charbon. Si le balai a moins de 3,2 mm de long et que le bout du balai qui vient en contact avec le commutateur est rugueux et/ou piqué, le balai doit être remplacé. Vérifiez les deux balais (Fig. 10).
- Habituellement, les balais ne s'usent pas simultanément mais, si l'un d'eux est usé, remplacez les deux. Assurez-vous que les balais sont posés de la manière illustrée. La surface courbée du balai doit suivre la courbe du commutateur.



- Après avoir remplacé les balais, on doit faire tourner l'outil sans charge ; placez-le sur une surface propre et laissez-le tourner librement pendant cinq minutes sans charger (ou utiliser) l'outil. Les balais pourront ainsi se « caler » adéquatement, et chaque jeu de balais durera plus longtemps. La vie totale de votre outil s'en trouvera également prolongée car la surface du commutateur durera plus longtemps.

Renseignements sur l'entretien

Nettoyage

⚠ MISE EN GARDE Certains agents de nettoyage et certains dissolvants abîment les pièces en plastique. Citons parmi ceux-ci : l'essence, le tétrachlorure de carbone, les dissolvants de nettoyage chlorés, l'ammoniaque ainsi que les détergents domestiques qui en contiennent.

Gardez les prises d'air et les interrupteurs propres et libres de débris. N'essayez pas de les nettoyer en introduisant des objets pointus dans leurs ouvertures.

Rallonges

⚠ AVERTISSEMENT Si un cordon de rallonge s'avère nécessaire, vous devez utiliser un cordon avec conducteurs de dimension adéquate pouvant porter le courant nécessaire à votre outil. Ceci préviendra une chute excessive de tension, une perte de courant ou une surchauffe. Les outils mis à la terre doivent utiliser des cordons de rallonge trifilaires pourvus de fiches à trois broches ainsi que des prises à trois broches.

REMARQUE : Plus le calibre du cordon est petit, plus sa capacité est élevée.

DIMENSIONS DE RALLONGES RECOMMANDÉES OUTILS 120 VOLTS COURANT ALTERNATIF

Intensité nominale de l'outil	Calibre A.W.G.				Calibre en mm ²			
	Longueur en pieds				Longueur en mètres			
	25	50	100	150	15	30	60	120
3-6	18	16	16	14	0.75	0.75	1.5	2.5
6-8	18	16	14	12	0.75	1.0	2.5	4.0
8-10	18	16	14	12	0.75	1.0	2.5	4.0
10-12	16	16	14	12	1.0	2.5	4.0	–
12-16	14	12	–	–	–	–	–	–

Accessoires Dremel

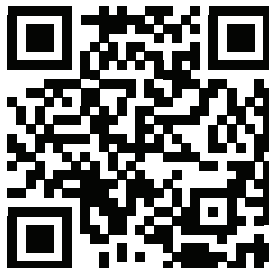
⚠ AVERTISSEMENT Utiliser seulement des accessoires de la marque Dremel®. Aucun des autres accessoires n'a été conçu pour cet outil. Leur usage pourrait occasionner des blessures corporelles ou des dommages matériels.

Ranger les accessoires dans un environnement sec et tempéré pour éviter les risques de corrosion et de détérioration.

Le nombre et l'assortiment d'accessoires pour l'outil rotatif sont pratiquement illimités. Il existe une catégorie convenant à presque toutes les tâches que vous avez à accomplir – ainsi qu'un éventail de tailles et de formes à l'intérieur de chaque catégorie vous permettant ainsi d'obtenir l'accessoire parfait qui satisfait tous les besoins.

Les catégories d'accessoires sont les suivantes : sculpture / gravure, fraisage, meulage / affûtage, coupe, nettoyage / polissage, ponçage, enlèvement de coulis, perçage et pinces de serrage / divers.

Pour un guide complet des accessoires rotatifs Dremel, veuillez vous rendre sur le site – <https://www.dremel.com/binaries/content/assets/dremel/us/other/rotary-accessory-guide.pdf>



Réglages de vitesse

Les tableaux suivants indiquent les vitesses recommandées pour chaque accessoire et chaque type de matériau.

Réglage de vitesse : **2** (5,000 - 8,000 RPM) **4** (9,000 - 15,000 RPM) **6** (16,000 - 21,000 RPM)
8 (22,000 - 27,000 RPM) **10** (28,000 - 35,000 RPM)

Numéro de modèle	Bois tendre	Bois dur	Stratifiés /plastique	Acier	Aluminum, laiton, etc.	Coquille/ pierre	Céramique	Verre	Vitesse nominale (vitesse de fonctionnement maximale de l'accessoire)
Accessoires de sculpture / gravure									
191	10	8-10	4	6	10	—	—	—	35,000
Accessoires de coupe									
420, 426	6-10	6-10	4-6	8-10	10	6-10	—	—	35,000
Accessoires d'affûtage / d'aiguisage : Oxyde d'aluminium (orange/marron)									
932, 8193	—	—	—	8-10	6-8	—	—	—	35,000
Accessoires d'affûtage / d'aiguisage : Carbure de silicium (bleu/vert)									
83322	—	—	—	—	—	6-8	6-8	8	35,000
Accessoires de nettoyage / polissage									
414, 422, 429	—	—	—	8-10	6	6	6	6	35,000
425	—	—	—	6-8	6-8	—	—	—	35,000
Accessoires de ponçage									
407, 408, 411, 412, 413, 432	6-8	6-8	6-8	6-8	6-8	6-8	—	—	35,000

Guide de ponçage/rectification, modèle A576

Utilisation du guide de ponçage/rectification

⚠ AVERTISSEMENT N'utilisez pas un mandrin Dremel avec cet accessoire de fixation. Utilisez seulement un mors et un élément de fixation de mors.

⚠ AVERTISSEMENT Pour utilisation exclusive avec des meules à rectifier et à poncer de 1/2 po (1,27 cm) ou moins.

⚠ AVERTISSEMENT Il ne faut pas utiliser de fers de toupie avec le guide de ponçage/rectification.

(Fig. 11, 12, 13)

Le guide est fourni totalement assemblé et prêt à utiliser pour des applications de ponçage et de rectification jusqu'à 1/2 po (1,27 cm) d'épaisseur.

Le guide a un biseau de 90 et de 45 degrés pour diverses applications de ponçage.

Instructions pour l'installation :

1. Retirez le bec de fixation **5** de l'extrémité de l'outil et mettez le bec de fixation de côté (Fig. 11). Le bec de fixation d'origine doit être réinstallé quand cet accessoire n'est pas utilisé.
2. Desserrez l'élément de fixation de mors **3**, placez votre accessoire à l'intérieur et serrez.
3. Enfilez le dispositif **A** sur la partie filetée de la bague du boîtier **B** (Fig. 12).
4. Pour régler la profondeur de l'attachement **A** (Fig. 13) : desserrez le bouton à oreilles **C**, réglez la profondeur et resserrez le bouton à oreilles **C**.

Fig. 11

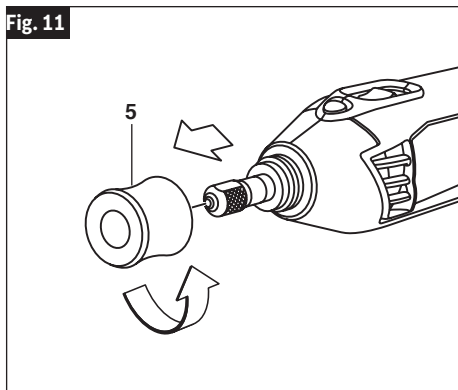


Fig. 12

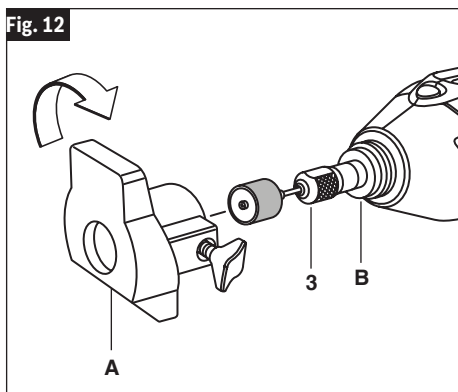
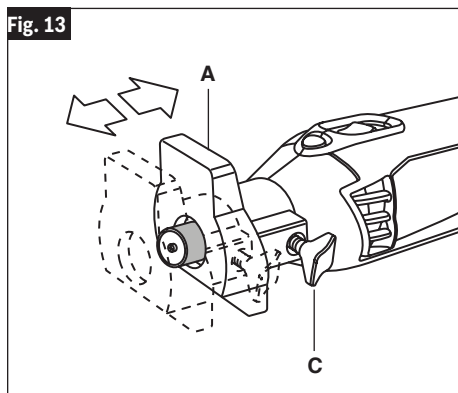


Fig. 13



Affûteur pour tondeuses à gazon et outils de jardin, modèle 675

Utilisation de l'attachement d'affûtage des lames de la tondeuse à gazon

⚠ AVERTISSEMENT N'utilisez pas un mandrin Dremel (modèle 4486) avec cet accessoire de fixation. Utilisez seulement un mors et un élément de fixation de mors.

⚠ AVERTISSEMENT Utilisez seulement une pierre d'affûtage Dremel N° 932 avec cet accessoire. D'autres pierres risquent de ne pas être compatibles avec l'accessoire ou de ne pas avoir la taille correcte ou la vitesse nominale requise.

⚠ AVERTISSEMENT Consultez le mode d'emploi de votre tondeuse à gazon pour prendre connaissance des instructions sur la maintenance des lames, leur retrait et leur réinstallation. Des fissures dans le corps d'une lame ou un retrait incorrect et une réinstallation incorrecte d'une lame pourraient causer de graves blessures.

⚠ AVERTISSEMENT Inspectez la lame pour vous assurer qu'elle n'est pas fissurée et qu'aucune section de la lame ne manque. Remplacez la lame si elle est fissurée ou endommagée. Des lames fissurées ou endommagées pourraient se casser pendant leur utilisation.

⚠ AVERTISSEMENT Les lames des tondeuses à gazon ont des bords tranchants, qui peuvent lacérer les mains.

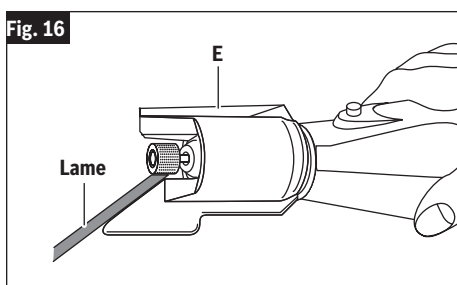
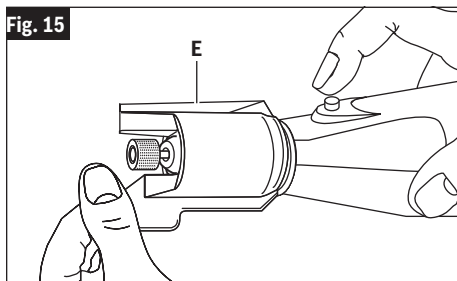
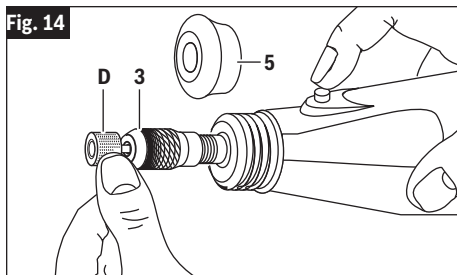
⚠ AVERTISSEMENT Si la pierre s'accroche au coin de la lame, cela pourrait provoquer un choc en retour et causer la perte du contrôle de l'outil.

Instructions pour l'installation :

1. Retirez le bec de fixation 5 de l'extrémité de l'outil et mettez le bec de fixation de côté (Fig. 14). Le bec de fixation d'origine doit être réinstallé quand cet accessoire n'est pas utilisé.
2. Desserrez l'élément de fixation de mors 3 (Fig. 14).
3. Insérez une pierre d'affûtage à l'oxyde d'aluminium Dremel N° 932 neuve ou remise en état D complètement dans le mors et serrez l'élément de fixation du mors (Fig. 14).
4. Vissez l'affûteur de la tondeuse à gazon E dans le boîtier de l'outil rotatif Dremel (Fig. 15).

Affûtage d'une lame

1. Placez une lame retirée dans un étau ou immobilisez-la au moyen de brides de fixation.

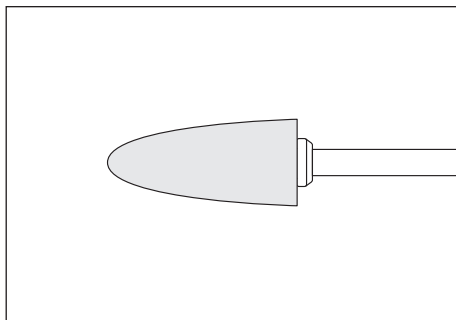
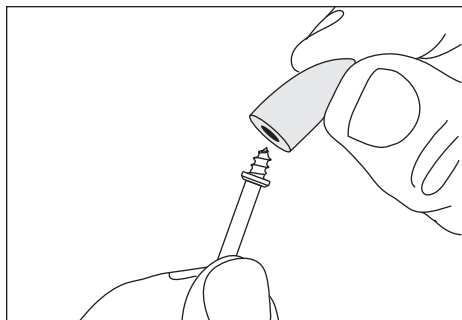


2. Positionnez l'affûteur au-dessus du bord biseauté de la lame en restant à l'angle du guide suivant l'angle du bord biseauté existant (Fig. 16).
3. Mettez l'outil rotatif en marche et passez au-dessus de chaque extrémité de la lame le même nombre de fois à la même vitesse et avec la même pression pour assurer l'équilibre de la lame jusqu'à ce que le bord ait été affûté.

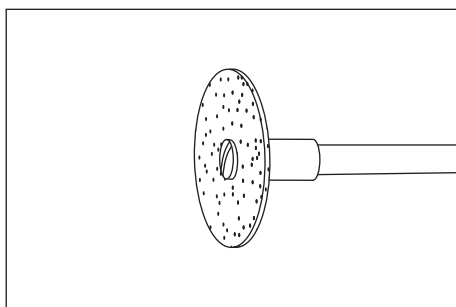
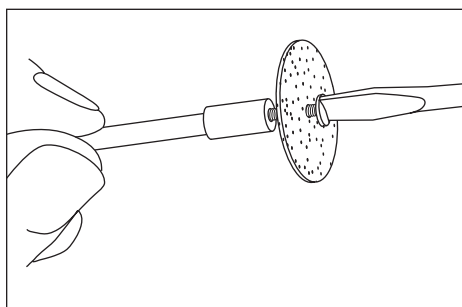
Équilibrage de la lame

Enfoncez un clou dans une poutre ou dans un mur. Laissez environ un pouce (2,5 cm) de clou droit exposé. Placez le trou central de la lame au-dessus de la tête du clou avec la lame en position horizontale. Si la lame est équilibrée, elle devrait rester en position horizontale. Si l'un des côtés de la lame s'abaisse, utilisez la pierre d'affûtage (sans le guide) pour retirer de petites quantités de matériau de l'extrémité de ce côté de la lame. Retirez juste assez de matériau de l'extrémité pour permettre à la lame de s'arrêter de façon équilibrée sur le clou.

Remplacement des accessoires du mandrin de la vis

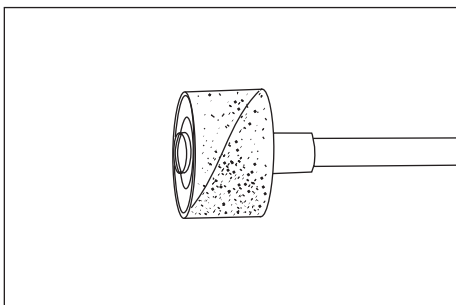
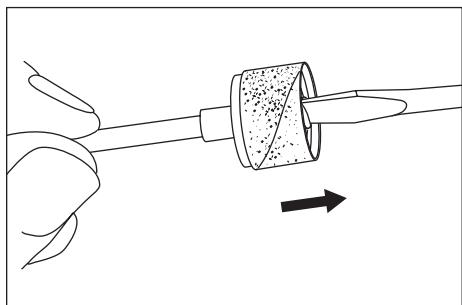


Le **Mandrin 401** s'emploie avec les meules et l'embout de polissage en feutre. Insérez l'embout sur la vis soigneusement. L'embout en feutre doit descendre droit sur le mandrin de la vis, et il doit être tourné complètement jusqu'à la douille.



Le **Mandrin 402** possède une petite vis à son extrémité, et cette vis est utilisée avec les patins de ponçage et les meules de coupe à l'émeri. Les vitesses élevées, habituellement les vitesses maximales, sont celles qui conviennent le mieux à la plupart des tâches, y compris la coupe de l'acier qui est illustrée ici.

⚠ AVERTISSEMENT Avant chaque usage, vérifiez pour vous assurer que tous les composants sont assemblés sur la tige de l'accessoire et que le tambour est suffisamment étendu pour fixer solidement la bande durant l'utilisation. Si la bande de ponçage est lâche sur le tambour durant le fonctionnement, elle peut être projetée et vous frapper ou frapper les personnes présentes.



Pour remplacer une bande sur la **ponceuse à tambour 407**, desserrez la vis sans la retirer pour contracter le tambour, puis faites glisser la vieille bande à l'extérieur. Faites glisser la nouvelle bande de ponçage sur la ponceuse, puis donnez de l'expansion au tambour en serrant à nouveau la vis.

Garantie limitée de Dremel®

Votre produit Dremel est garanti contre les vices de matériau ou de façon pendant un délai de deux ans à compter de la date d'achat. Dans l'hypothèse où le produit ne se conformerait pas à cette garantie écrite, veuillez procéder de la façon suivante :

1. NE RAPPORTEZ PAS votre produit à l'endroit où vous l'avez acheté.
2. Emballez avec soin le produit seul, sans aucun autre article, et renvoyez-le, en port payé, accompagné :
 - A. d'une copie de votre justificatif d'achat daté (veuillez en garder une copie pour vous-même)
 - B. d'une déclaration écrite concernant la nature du problème
 - C. d'une indication de vos nom, adresse et numéro de téléphone, à l'adresse suivante :

ÉTATS-UNIS

Dremel Repairs

173 Lawrence Rd 428, Dock #2 OU
Walnut Ridge, AR 72477

CANADA

Giles Tool Agency

47 Granger Av.

Canada M1K 3K9 1-416-287-3000

À L'EXTÉRIEUR DU TERRITOIRE CONTINENTAL DES ÉTATS-UNIS

Consultez votre distributeur local ou écrivez à Dremel :

173 Lawrence Rd 428, Dock #2, Walnut Ridge, AR 72476

Nous vous recommandons d'assurer le paquet contre la perte ou les dommages en cours de route dont nous ne pouvons assumer la responsabilité.

Cette garantie n'est offerte qu'à l'acheteur enregistré d'origine. LES DOMMAGES AU PRODUIT RÉSULTANT DE MANIPULATIONS ABUSIVES, D'ACCIDENTS, D'USAGES ABUSIFS, DE NÉGLIGENCE, DE RÉPARATIONS OU D'ALTÉRATIONS NON AUTORISÉES, D'UTILISATION D'ACCESSOIRES NON APPROUVÉS OU D'AUTRES CAUSES NON LIÉES AU MATÉRIAU OU À LA FAÇON NE SONT PAS COUVERTS PAR CETTE GARANTIE.

Aucun employé, mandataire, vendeur ou autre n'est autorisé à accorder des garanties au nom de Dremel. Si l'inspection effectuée par Dremel révèle que le problème a été causé par un problème de matériau ou de façon dans les limites de la garantie, Dremel réparera ou remplacera le produit gratuitement et renverra le produit en port payé. Si elles peuvent être effectuées, les réparations rendues nécessaires par l'usure normale ou un usage abusif, ou les réparations du produit une fois la période de garantie expirée, seront facturées aux tarifs réguliers de l'usine.

DREMEL N'ACCORDE AUCUNE AUTRE GARANTIE DE QUELQUE NATURE QUE CE SOIT, EXPLICITE OU IMPLICITE, ET TOUTES LES GARANTIES IMPLICITES DE COMMERCIALISATION ET D'APTITUDE À UN USAGE PARTICULIER EN PLUS DE L'OBLIGATION SUSVISÉE SONT REJETÉES PAR LES PRÉSENTES PAR DREMEL ET EXCLUES DE CETTE GARANTIE LIMITÉE.

Cette garantie vous accorde certains droits précis, et vous pouvez également avoir d'autres droits qui varient d'un endroit à un autre. L'obligation du garant se limite à réparer ou remplacer le produit. Le garant n'est responsable d'aucun dommage accessoire ou indirect attribuable à de telles défaillances alléguées. Certaines juridictions ne permettent pas l'exclusion ou la limitation des dommages accessoires ou indirects ; il se peut donc que les limitations ou l'exclusion qui précède ne s'appliquent pas à vous.

En ce qui concerne les prix et la façon de vous prévaloir de la garantie sur le territoire continental des États-Unis, mettez-vous en contact avec votre distributeur Dremel local.

Exporté par : © Robert Bosch Tool Corporation Mt. Prospect, IL 60056 -2230, U.S.A.

Importé au Mexique par : Robert Bosch, S. de R.L. de C.V.





Rue Robert Bosch n° 405 - 50071 Toluca, Edo. du Mexique. - Mexique

Tél.052 (722) 279 2300 poste 1160 / Fax. 052 (722) 216-6656



Símbolos de seguridad

Las definiciones que aparecen a continuación describen el nivel de gravedad de cada palabra de señal de seguridad. Por favor, lea el manual y preste atención a estos símbolos.

	<p>Éste es el símbolo de alerta de seguridad. Se utiliza para alertarle a usted de posibles peligros de lesiones corporales. Obedezca todos los mensajes de seguridad que sigan a este símbolo para evitar posibles lesiones o muerte.</p>
	<p>PELIGRO indica una situación peligrosa que, si no se evita, causará la muerte o lesiones graves.</p>
	<p>ADVERTENCIA indica una situación peligrosa que, si no se evita, podría causar la muerte o lesiones graves.</p>
	<p>PRECAUCIÓN indica una situación peligrosa que, si no se evita, podría causar lesiones leves o moderadas.</p>

Advertencias generales de seguridad para herramientas mecánicas

ADVERTENCIA Lea todas las advertencias de seguridad, instrucciones, ilustraciones y especificaciones suministradas con esta herramienta eléctrica. Si no se siguen todas las instrucciones que se indican a continuación, es posible que el resultado sea descargas eléctricas, incendio y/o lesiones graves.

GUARDE TODAS LAS ADVERTENCIAS E INSTRUCCIONES PARA REFERENCIA FUTURA

La expresión “herramienta mecánica” en las advertencias se refiere a su herramienta mecánica alimentada por la red eléctrica (herramienta alámbrica) o su herramienta mecánica alimentada por baterías (herramienta inalámbrica).

1. Seguridad del área de trabajo

- Mantenga el área de trabajo limpia y bien iluminada.** Las áreas desordenadas u oscuras invitan a que se produzcan accidentes.
- No utilice herramientas mecánicas en atmósferas explosivas, como por ejemplo en presencia de líquidos, gases o polvos inflamables.** Las herramientas mecánicas generan chispas que pueden incendiar el polvo o los vapores.
- Mantenga alejados a los niños y a las personas que estén presentes mientras esté utilizando una herramienta mecánica.** Las distracciones pueden hacerle perder el control de la herramienta.

2. Seguridad eléctrica

- Los enchufes de las herramientas mecánicas deben coincidir con el tomacorriente. No modifique nunca el enchufe de ningún modo. No use enchufes adaptadores con herramientas mecánicas conectadas a tierra (puestas a tierra).** Los enchufes no modificados y los tomacorrientes coincidentes reducirán el riesgo de sacudidas eléctricas.
- Evite el contacto del cuerpo con las superficies conectadas o puestas a tierra, tales como tuberías, radiadores, estufas y refrigeradores.** Hay un aumento del riesgo de sacudidas eléctricas si el cuerpo del operador se conecta o pone a tierra.
- No exponga las herramientas mecánicas a la lluvia o a condiciones mojadas.** La entrada de agua en una herramienta mecánica aumentará el riesgo de que se produzcan sacudidas eléctricas.
- No maltrate el cordón de energía. No use nunca el cordón para transportar la herramienta mecánica, tirar de ella o desenchufarla. Mantenga el cordón alejado del calor, el aceite, los bordes afilados o las piezas móviles.** Los cordones dañados o enganchados aumentan el riesgo de que se produzcan sacudidas eléctricas.
- Cuando utilice una herramienta mecánica en el exterior, use un cordón de extensión adecuado para uso a la intemperie.** La utilización de un cordón adecuado para uso a la intemperie reduce el riesgo de que se produzcan sacudidas eléctricas.
- Si es inevitable utilizar una herramienta mecánica en un lugar húmedo, utilice una fuente de energía protegida por un interruptor de circuito accionado por corriente de pérdida a tierra (GFCI).** El uso de un GFCI reduce el riesgo de sacudidas eléctricas.



Advertencias generales de seguridad para herramientas mecánicas

3. Seguridad personal

- a. **Manténgase alerta, fíjese en lo que está haciendo y use el sentido común cuando esté utilizando una herramienta mecánica. No use una herramienta mecánica cuando esté cansado o bajo la influencia de drogas, alcohol o medicamentos.** Un momento de distracción mientras esté utilizando herramientas mecánicas podría causar lesiones corporales graves.
- b. **Use equipo de protección personal. Use siempre protección de los ojos.** El equipo de protección, como por ejemplo una máscara antipolvo, calzado de seguridad antideslizante, casco o protección de oídos, utilizado para las condiciones apropiadas, reducirá las lesiones corporales.
- c. **Evite el arranque accidental. Asegúrese de que el interruptor esté en la posición de apagado antes de conectar la herramienta a la fuente de energía y / o al paquete de batería, levantar la herramienta o transportarla.** Transportar herramientas mecánicas con un dedo en el interruptor o encender herramientas mecánicas que tengan el interruptor en la posición de encendido invita a que se produzcan accidentes.
- d. **Quite todas las llaves de ajuste o de tuerca antes de encender la herramienta mecánica.** Una llave de tuerca o de ajuste que se deje colocada en una pieza giratoria de la herramienta mecánica podría causar lesiones corporales.
- e. **No intente alcanzar demasiado lejos. Mantenga un apoyo de los pies y un equilibrio apropiados en todo momento.** Esto permite controlar mejor la herramienta mecánica en situaciones inesperadas.
- f. **Vístase adecuadamente. No use ropa holgada ni alhajas holgadas. Mantenga el pelo y la ropa de las piezas móviles.** La ropa holgada, las alhajas holgadas o el pelo largo pueden quedar atrapados en las piezas móviles.
- g. **Si se proporcionan dispositivos para la conexión de instalaciones de extracción y recolección de polvo, asegúrese de que dichas instalaciones estén conectadas y se usen correctamente.** El uso de dispositivos de recolección de polvo puede reducir los peligros relacionados con el polvo.

4. Uso y cuidado de las herramientas mecánicas

- a. **No fuerce la herramienta mecánica. Use la herramienta mecánica correcta para la aplicación que desee realizar.** La herramienta mecánica correcta hará el trabajo mejor y con más seguridad a la capacidad nominal para la que fue diseñada.

- b. **No use la herramienta mecánica si el interruptor no la enciende y apaga.** Toda herramienta mecánica que no se pueda controlar con el interruptor es peligrosa y debe ser reparada.
- c. **Desconecte el enchufe de la fuente de alimentación y/o retire el paquete de batería de la herramienta eléctrica antes de hacer cualquier ajuste, cambiar accesorios o almacenar herramientas eléctricas.** Dichas medidas preventivas de seguridad reducen el riesgo de arrancar accidentalmente la herramienta mecánica.
- d. **Guarde las herramientas que no esté usando fuera del alcance de los niños y no deje que personas que no estén familiarizadas con la herramienta mecánica o con estas instrucciones utilicen la herramienta.** Las herramientas mecánicas son peligrosas en manos de usuarios que no hayan recibido capacitación.
- e. **Mantenga las herramientas eléctricas y sus accesorios. Compruebe si hay piezas móviles desalineadas o atoradas, si hay piezas rotas y cualquier otra situación que pueda afectar al funcionamiento de la herramienta eléctrica. Si la herramienta eléctrica está dañada, haga que sea reparada antes de utilizarla.** Muchos accidentes son causados por herramientas mecánicas mantenidas deficientemente.
- f. **Mantenga las herramientas de corte afiladas y limpias.** Es menos probable que las herramientas de corte mantenidas apropiadamente, con bordes de corte afilados, se atoren, y dichas herramientas son más fáciles de controlar.
- g. **Utilice la herramienta mecánica, los accesorios, las brocas de la herramienta, etc., de acuerdo con estas instrucciones, teniendo en cuenta las condiciones de trabajo y el trabajo que se vaya a realizar.** El uso de la herramienta mecánica para operaciones distintas a aquéllas para las que fue diseñada podría causar una situación peligrosa.

5. Servicio de ajustes y reparaciones

- a. **Haga que su herramienta mecánica reciba servicio de un técnico de reparaciones calificado, utilizando únicamente piezas de repuesto idénticas.** Esto asegurará que se mantenga la seguridad de la herramienta mecánica.

Normas de seguridad para herramientas giratorias

1. Advertencias de seguridad comunes para las operaciones de amolado, lijado, cepillado con cepillo de alambre, pulido, tallado o tronzado con ruedas abrasivas:

- a. **Esta herramienta eléctrica está diseñada para funcionar como amoladora, lijadora, cepillo de alambre, pulidora, talladora o herramienta tronzadora.** Lea todas las advertencias de seguridad, instrucciones, ilustraciones y especificaciones suministradas con esta herramienta eléctrica. Si no se siguen todas las instrucciones que se indican a continuación, el resultado podría ser descargas eléctricas, incendio y/o lesiones graves.
- b. **No utilice accesorios que no estén diseñados y recomendados específicamente por el fabricante de la herramienta.** Sólo porque el accesorio se pueda acoplar a su herramienta eléctrica, eso no garantiza un funcionamiento seguro.
- c. **La VELOCIDAD NOMINAL de los accesorios de amolar debe ser por lo menos igual a la velocidad máxima marcada en la herramienta eléctrica.** Los accesorios de amolar que funcionen más rápidamente que su VELOCIDAD NOMINAL se pueden romper y salir despedidos en pedazos.
- d. **El diámetro exterior y el grosor de su accesorio deben estar dentro de los límites de la capacidad nominal de su herramienta eléctrica.** Los accesorios de tamaño incorrecto no se pueden controlar adecuadamente.
- e. **El tamaño del eje portaherramienta de las ruedas, los tambores de lijar o cualquier otro accesorio debe encajar apropiadamente en el husillo o el portaherramienta de la herramienta eléctrica.** Los accesorios que no coincidan con los herrajes de montaje de la herramienta eléctrica funcionarán desequilibrados, vibrarán excesivamente y podrán causar pérdida de control.
- f. **Las RUEDAS MONTADAS en mandrín, los tambores de lijar, los cortadores u otros accesorios se deben insertar completamente en el portaherramienta o el mandrín.** Si el mandrín no está suficientemente sujeto y/o el saliente de la rueda es demasiado largo, la RUEDA MONTADA se podría aflojar y ser eyectada a alta velocidad.
- g. **No utilice un accesorio que esté dañado.** Antes de cada uso, inspeccione el accesorio, como por ejemplo las ruedas abrasivas para comprobar si tienen picaduras y grietas, el tambor de lijar para revisar si tiene grietas, desgarraduras o desgaste excesivo, y el cepillo de alambre para comprobar si hay alambres flojos o agrietados. Si la herramienta eléctrica o el accesorio se cae, realice una inspección para comprobar si se ha dañado o instale un accesorio que no esté dañado. Después de inspeccionar e instalar un accesorio, posícionese usted y posicione a las personas que estén presentes alejados del plano del accesorio que rota y haga funcionar la herramienta eléctrica a la máxima velocidad sin carga durante un minuto. Normalmente, los accesorios dañados se romperán en pedazos durante este tiempo de prueba.
- h. **Use equipo de protección personal.** Dependiendo de la aplicación, use una careta, anteojos de seguridad o gafas de seguridad. Según sea apropiado, use una máscara antipolvo, protectores de la audición, guantes y un delantal de taller capaz de detener pequeños fragmentos de abrasivo o de la pieza de trabajo. La protección de los ojos debe ser capaz de detener los residuos que salgan despedidos al ser generados por diversas operaciones. La máscara antipolvo o el respirador debe ser capaz de impedir mediante filtración el paso de las partículas generadas por la operación que usted vaya a realizar. La exposición prolongada a ruido de alta intensidad podría causar pérdida de audición.
- i. **Mantenga a las personas que estén presentes a una distancia segura del área de trabajo.** Toda persona que entre al área de trabajo debe usar equipo de protección personal. Los fragmentos de la pieza de trabajo o de un accesorio roto pueden salir despedidos y causar lesiones más allá del área de operación inmediata.
- j. **Agarre la herramienta eléctrica solamente por las superficies de agarre con aislamiento cuando realice una operación en la que el accesorio de corte pueda entrar en contacto con cables ocultos o con su propio cable de alimentación.** Si el accesorio de corte entra en contacto con un cable con corriente, el resultado podría ser que las partes metálicas de la herramienta que están al descubierto lleven corriente, con lo cual podrían causarle descargas eléctricas al operador.
- k. **Sostenga siempre firmemente la herramienta en la(s) mano(s) durante el arranque.** La fuerza de torsión de reacción del motor, a medida que acelera hasta la máxima velocidad, puede hacer que la herramienta se tuerza.
- l. **Use abrazaderas para soportar la pieza de trabajo siempre que sea práctico.** No sostenga nunca una pieza de trabajo pequeña en una mano y la herramienta en la otra mano mientras esté en uso. Si sujeta con una abrazadera una pieza de trabajo pequeña, podrá usar la(s) mano(s) para controlar la herramienta. El material redondo, como las varillas de unión, las tuberías o los tubos, tiene tendencia a rodar mientras está siendo cortado y puede hacer que la broca se atore o salte hacia usted.

Normas de seguridad para herramientas giratorias

- m. Posicione el cable de alimentación lejos del accesorio que gira.** Si usted pierde el control, es posible que el cable de alimentación resulte cortado o enganchado y puede que la mano o el brazo sean jalados hasta el accesorio que gira.
- n. No deje nunca la herramienta eléctrica en ningún lugar hasta que el accesorio se haya detenido por completo.** El accesorio que gira se puede enganchar en la superficie y jalar la herramienta eléctrica hasta hacer que usted pierda el control de la misma.
- o. Después de cambiar las brocas o hacer cualquier ajuste, asegúrese de que la tuerca del portaherramienta, el mandril o cualquier otro dispositivo de ajuste estén firmemente apretados.** Los dispositivos de ajuste flojos pueden cambiar de posición inesperadamente, causando pérdida de control, y los componente que roten estando flojos serán arrojados violentamente.
- p. No tenga la herramienta eléctrica en marcha mientras la lleva junto a usted.** Un contacto accidental con el accesorio que gira podría engancharle la ropa y jalar el accesorio hasta su cuerpo.
- q. Limpie regularmente las aberturas de ventilación de la herramienta eléctrica.** El ventilador del motor absorberá el polvo en el interior de la carcasa y la acumulación excesiva de metal en polvo podría causar peligros eléctricos.
- r. No utilice la herramienta eléctrica cerca de materiales inflamables.** Las chispas podrían incendiar estos materiales.
- s. No utilice accesorios que requieran refrigerantes líquidos.** El uso de agua u otros refrigerantes líquidos podría causar electrocución o descargas eléctricas.
- t. Utilice la herramienta únicamente en un área bien ventilada.** Al trabajar en un entorno seguro se reduce el riesgo de lesiones.
- u. Deje suficiente espacio, por lo menos 6 pulgadas, entre la mano y la broca que gira.** No ponga la mano en el área de la broca que gira. Puede que la proximidad de la mano a la broca que gira no siempre sea obvia.
- v. No toque la broca ni el portaherramienta después de usar la herramienta.** Después del uso, la broca y el portaherramienta están demasiado calientes para tocarlos con las manos desnudadas.
- w. No altere ni utilice incorrectamente la herramienta.** Cualquier alteración o modificación es un uso incorrecto y es posible que cause lesiones corporales graves.

- x. Este producto no está diseñado para utilizarse como taladro dental, en aplicaciones médicas en humanos o en veterinaria.** El resultado podrá ser lesiones graves.

2. Retroceso y advertencias relacionadas

El retroceso es una reacción repentina a una rueda, una almohadilla de refuerzo, un cepillo o cualquier otro accesorio que esté rotando y que resulte pellizcado o enganchado. El pellizcamiento o el enganche causan una parada rápida del accesorio que rota, lo cual a su vez hace que la herramienta eléctrica descontrolada sea forzada en sentido opuesto al de rotación del accesorio.

Por ejemplo, si una rueda abrasiva es enganchada o pellizcada por la pieza de trabajo, el borde de la rueda que esté entrando en el punto de pellizcamiento puede penetrar en la superficie del material y hacer que la rueda se salga del corte o experimente retroceso. La rueda puede saltar hacia el operador o alejándose de éste, dependiendo del sentido del movimiento de dicha rueda en el punto de pellizcamiento. Las ruedas abrasivas también se pueden romper en estas condiciones.

El retroceso es el resultado de la utilización indebida de la herramienta eléctrica y/o de procedimientos o condiciones de operación incorrectos, y se puede evitar tomando las precauciones apropiadas tal y como se indica a continuación.

- a. Mantenga un agarre firme de la herramienta eléctrica y posicione el cuerpo y el brazo de manera que le permitan resistir las fuerzas de retroceso.** El operador puede controlar las fuerzas de retroceso, si se toman las precauciones adecuadas.
- b. Tenga cuidado especial cuando trabaje en esquinas, bordes afilados, etc.** Evite hacer rebotar y enganchar el accesorio. Las esquinas, los bordes afilados o los rebotes tienen tendencia enganchar el accesorio que rota y causar pérdida de control o retroceso.
- c. No instale una hoja de sierra dentada.** Dichas hojas crean retroceso y pérdida de control frecuentes.
- d. Haga avanzar siempre la broca hacia el interior del material en el mismo sentido en el que el borde de corte esté saliendo del material (que es el mismo sentido en que las virutas son arrojadas).** Si se hace avanzar la herramienta en sentido incorrecto, el resultado será que el borde de corte de la broca se saldrá de la pieza de trabajo y jalará la herramienta en el sentido de este avance.

Normas de seguridad para herramientas giratorias

- e. **Cuando utilice limas rotativas, ruedas tronadoras, cortadores de alta velocidad o cortadores de carburo de tungsteno, tenga siempre la pieza de trabajo sujeta firmemente con una abrazadera.** Estas ruedas se engancharán si se inclinan ligeramente en la ranura y pueden experimentar retroceso. Cuando una rueda tronadora se engancha, generalmente la propia rueda se rompe. Cuando una lima rotativa, un cortador de alta velocidad o un cortador de carburo de tungsteno se engancha, puede saltar de la ranura y usted podría perder el control de la herramienta.

Advertencias de seguridad específicas para las operaciones de amolado y tronado con ruedas abrasivas:

- a. **Utilice únicamente los tipos de rueda que estén recomendados para su herramienta eléctrica y sólo para las aplicaciones recomendadas.** Por ejemplo: no amole con el lado de una rueda tronadora. Las ruedas tronadoras abrasivas están diseñadas para realizar amolado periférico; la aplicación de fuerzas laterales a estas ruedas puede hacer que se rompan en pedazos.
- b. **Para conos y tapones abrasivos roscados, utilice únicamente mandrines de rueda no dañados, con una pestaña de resalto sin relieve, que tengan el tamaño y la longitud correctos.** Los mandrines apropiados reducirán la posibilidad de rotura.
- c. **No atore una rueda tronadora ni aplique una presión excesiva.** No intente hacer un corte de profundidad excesiva. Si la rueda se somete a un esfuerzo excesivo, se aumentan la carga y la susceptibilidad a que la rueda se tuerza o se enganche en el corte, así como la posibilidad de retroceso o rotura de la rueda.
- d. **No posicione la mano en línea con la rueda que rota ni detrás de ella.** Cuando la rueda, en el punto de operación, se esté moviendo alejándose de la mano, el posible retroceso podrá impulsar la rueda que gira y la herramienta eléctrica directamente hacia usted.
- e. **Cuando la rueda se esté pellizcando o enganchar, o cuando se interrumpa un corte por cualquier motivo, apague la herramienta eléctrica y manténgala inmóvil hasta que la rueda se detenga por completo.** No intente nunca retirar la rueda tronadora del corte mientras la rueda esté en movimiento, ya que de lo contrario podría ocurrir retroceso. Investigue y tome medidas correctivas para eliminar la causa de que la rueda se pellizque o se enganche.

- f. **No reinicie la operación de corte en la pieza de trabajo.** Deje que la rueda alcance la máxima velocidad y reingrese cuidadosamente en el corte. La rueda podría atorarse, desviarse o experimentar retroceso si la herramienta eléctrica es rarrancada en la pieza de trabajo.
- g. **Soporte los paneles o cualquier pieza de trabajo extragrande para minimizar el riesgo de que la rueda se pellizque y experimente retroceso.** Las piezas de trabajo grandes tienden a combarse bajo su propio peso. Se deben colocar soportes debajo de la pieza de trabajo cerca de la línea de corte y cerca del borde de la pieza de trabajo a ambos lados de la rueda.
- h. **Tenga precaución extra cuando haga un corte de bolsillo en paredes existentes u otras áreas ciegas.** La rueda que sobresale puede cortar tuberías de gas o agua, cables eléctricos u objetos que pueden causar retroceso.

Advertencias de seguridad específicas para las operaciones de cepillado con cepillo de alambre:

- a. **Tenga presente que el cepillo lanza cerdas de alambre incluso durante la operación ordinaria.** No someta los alambres a un esfuerzo excesivo aplicando una carga excesiva al cepillo. Las cerdas de alambre pueden penetrar fácilmente en la ropa ligera y/o la piel.
- b. **Deje que los cepillos giren a la velocidad de funcionamiento durante por lo menos un minuto antes de usarlos.** Durante este tiempo nadie debe ubicarse delante del cepillo ni en línea con él. Las cerdas o los alambres que estén flojos se lanzarán durante el tiempo de asentamiento.
- c. **Dirija la descarga del cepillo de alambre que gira alejándola de usted.** Es posible que se lancen partículas pequeñas y fragmentos diminutos de alambre a alta velocidad durante el uso de estos cepillos y puede que dichas partículas y fragmentos se incrusten en la piel.

Advertencias de seguridad adicionales

Un GFCI y los dispositivos de protección personal, como guantes de goma y calzado de goma de electricista, mejorarán más su seguridad personal.

No use herramientas mecánicas con capacidad nominal solamente para CA con una fuente de energía de CC. Aunque pueda parecer que la herramienta funciona correctamente, es probable que los componentes eléctricos de la herramienta con capacidad nominal para CA fallen y creen un peligro para el operador.

Mantenga los mangos secos, limpios y libres de aceite y grasa. Las manos resbalosas no pueden controlar de modo seguro la herramienta mecánica.

Use abrazaderas u otro modo práctico de sujetar y soportar la pieza de trabajo en una plataforma estable. Si se sujeta la pieza de trabajo con la mano o contra el cuerpo, se crea una situación inestable que podría causar pérdida de control.

Desarrolle un programa de mantenimiento periódico de la herramienta. Cuando limpie una herramienta, tenga cuidado de no desmontar ninguna de sus partes, ya que los cables internos podrían reubicarse incorrectamente o pellizcarse, o los resortes de retorno de los protectores de seguridad podrían montarse incorrectamente. Ciertos agentes de limpieza, tales como gasolina, tetracloruro de carbono, amoníaco, etc., podrían dañar las piezas de plástico.

Riesgo de lesiones para el usuario. El cordón de energía debe recibir servicio de ajustes y reparaciones solamente por un Centro de Servicio de Fábrica Rotozip o una Estación de Servicio Rotozip Autorizada.

⚠ ADVERTENCIA **Cierto polvo generado por el lijado, aserrado, amolado y taladrado mecánicos, y por otras actividades de construcción, contiene agentes químicos que se sabe que causan cáncer, defectos de nacimiento u otros daños sobre la reproducción.** Algunos ejemplos de estos agentes químicos son:

- Plomo de pinturas a base de plomo,
- Sílice cristalina de ladrillos y cemento y otros productos de mampostería, y
- Arsénico y cromo de madera tratada químicamente.

Su riesgo por causa de estas exposiciones varía, dependiendo de con cuánta frecuencia realice este tipo de trabajo. Para reducir su exposición a estos agentes químicos: trabaje en un área bien ventilada y trabaje con equipo de seguridad aprobado, como por ejemplo máscaras antipolvo que estén diseñadas especialmente para impedir mediante filtración el paso de partículas microscópicas.

Especificaciones

Número de modelo	3100
Tensión nominal	120V ~ 60Hz
Amperaje nominal	1,2A
Velocidad nominal	n 5.000-35.000/min
Capacidad del porta herramienta	0,8 mm, 1,6 mm, 2,4 mm, 3,2 mm

NOTA: Para obtener las especificaciones de la herramienta, consulte la placa del fabricante colocada en la herramienta.


Uso previsto

Esta herramienta rotativa alámbrica de mano está diseñada para aplicaciones de tallado/grabado, fresado, afilado/amolado, corte, limpieza/pulido, lijado, remoción

de lechada y taladrado en materiales de madera blanda, madera dura, laminados/plásticos, acero, aluminio/latón/cobre, caparazón/piedra, cerámica y vidrio.

Símbolos

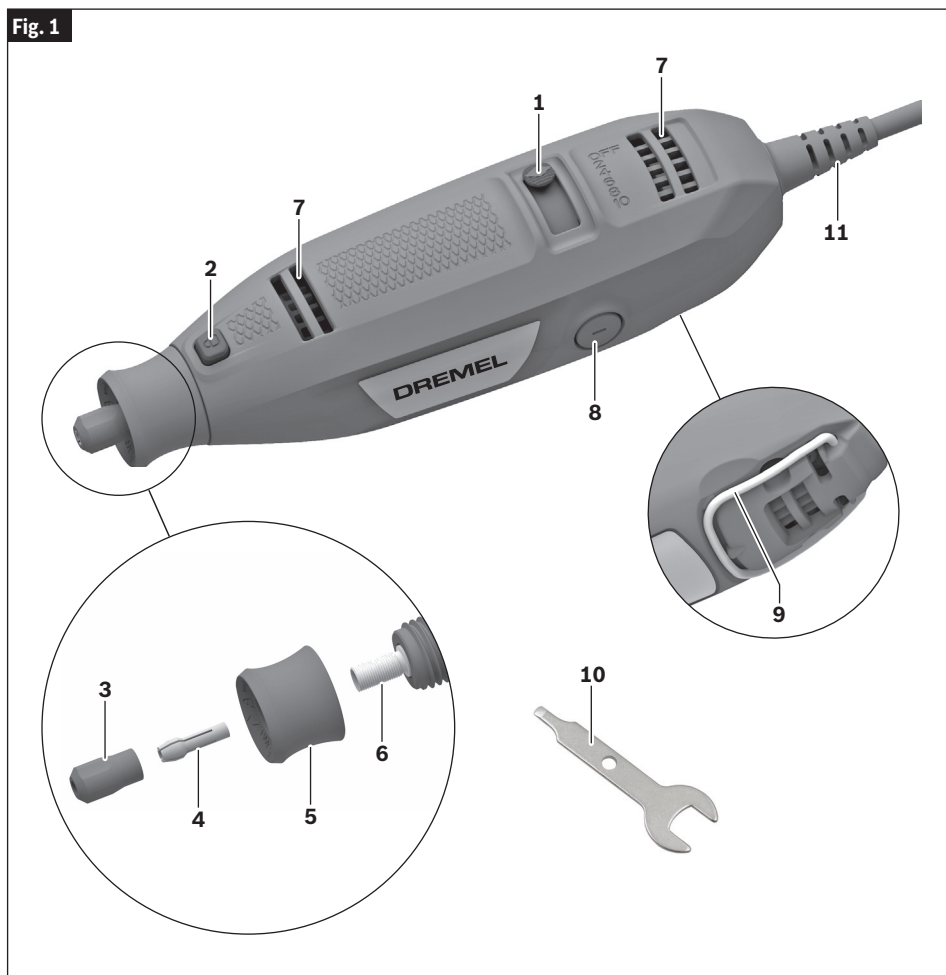
IMPORTANTE: Es posible que algunos de los símbolos siguientes se usen en su herramienta. Por favor, estúdielos y aprenda su significado. La interpretación adecuada de estos símbolos le permitirá utilizar la herramienta mejor y con más seguridad.

Símbolo	Désignación / Explicación
V	Volt (tensión)
A	Ampere (corriente)
Hz	Hertz (frecuencia, ciclos por segundo)
∅	Diámetro (tamaño de las brocas taladradoras, muelas, etc)
n	Velocidad nominal (máxima velocidad obtenible)
.../min	Revoluciones o alternación por minuto (revoluciones, golpes, velocidad de superficie, órbitas, etc., por minuto)
0	Posición "off" (velocidad cero, par motor cero...)
1, 2, 3, ... I, II, III,	Graduaciones del selector (graduaciones de velocidad, par motor o posición. Un número más alto significa mayor velocidad)
➔	Flecha (Acción en la dirección de la flecha)
~	Corriente alterna (tipo o una característica de corriente)
□	Construcción de clase II (designa las herramientas de construcción con aislamiento doble)
	Este símbolo indica que la Canadian Standards Association ha catalogado esta herramienta indicando que cumple con las normas estadounidenses y canadienses.

Descripción funcional y especificaciones

Herramienta giratoria de alta velocidad modelo 3100

Fig. 1



- | | |
|--|---|
| 1 Interruptor encendido / apagado | 7 Aberturas de ventilación |
| 2 Botón de fijación del eje | 8 Tapa de la cavidad de la escobilla (a cada lado) |
| 3 Tuerca del porta herramienta | 9 Gancho |
| 4 Portaherramientas | 10 Llave de porta-herramienta |
| 5 Llave de tuerca integrada / tapa de punta ez twist™ | 11 Cordón |
| 6 Eje | |

Ensamblaje

⚠ ADVERTENCIA Desenchufe siempre la herramienta giratoria antes de cambiar accesorios, cambiar portaherramientas o realizar servicio de ajustes y reparaciones en la herramienta giratoria.

Tuerca del portaherramienta

⚠ PRECAUCIÓN No acople el cierre mientras la herramienta giratoria está en marcha.

(Fig. 2, 3)

Para aflojar la tuerca **3**, oprima primero el botón **2** de fijación del eje y gire el eje a mano hasta que el cierre acople el eje, impidiendo así toda rotación posterior (Fig. 2).

Con el cierre del eje acoplado, utilice la llave de portaherramienta para aflojar la tuerca del portaherramienta en caso de que sea necesario. La tuerca del portaherramienta debe estar enroscada flojamente cuando se introduzca un accesorio.

Cambie accesorios introduciendo el nuevo accesorio en el portaherramienta hasta donde se pueda para minimizar el descentramiento y el desequilibrio.

Ciertas aplicaciones se benefician de tener el accesorio montado parcialmente extendido desde el portaherramientas. Asegúrese de que el accesorio no se extienda más de **1/2 h** en estos casos (Fig. 3).

Con el cierre del eje acoplado, apriete la tuerca del portaherramienta con los dedos hasta que el portaherramienta agarre el cuerpo del accesorio. **Evite apretar excesivamente la tuerca del portaherramienta cuando no haya una broca introducida.**

Llave de tuerca integrada / tapa de punta ez twist™

(Fig. 4)

La tapa de punta de su herramienta tiene una llave de tuerca integrada que le permite aflojar y apretar la tuerca del portaherramienta sin utilizar la llave de tuerca para portaherramienta estándar.

Desenrosque la tapa **5** de punta de la herramienta y alinee el inserto de acero ubicado en el interior de la tapa con la tuerca del portaherramienta **3**. Con el cierre del eje acoplado, gire la tapa de punta en el sentido de las agujas del reloj para apretar la tuerca del portaherramienta y en sentido contrario al de las agujas del reloj para aflojarla.

Fig. 2

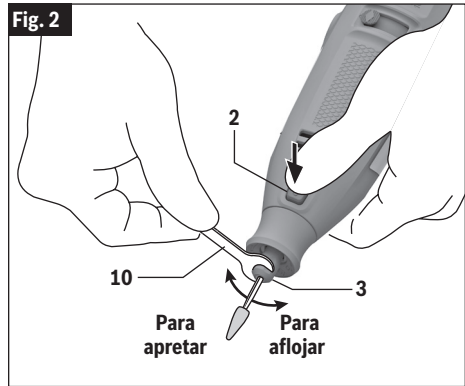


Fig. 3

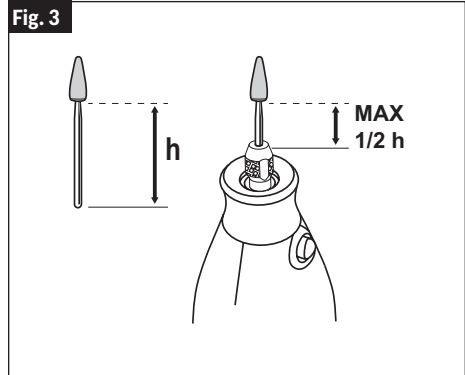
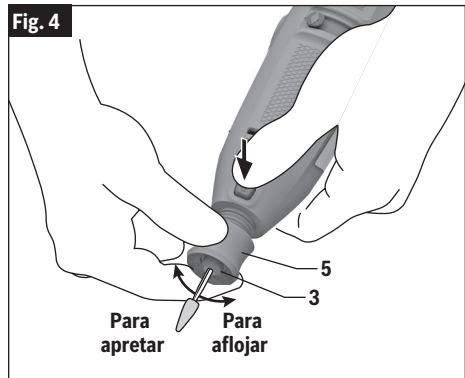


Fig. 4



Ensamblaje

Equilibrado de accesorios

Para realizar trabajo de precisión es importante que todos los accesorios se encuentren bien equilibrados (de manera muy parecida a las gomas de su automóvil). Para nivelar o equilibrar un accesorio, afloje ligeramente la tuerca del portaherramienta y haga girar el accesorio o el portaherramienta 1/4 de vuelta. Vuelva a apretar la tuerca del portaherramienta y ponga en marcha la herramienta giratoria. El sonido y la sensación del accesorio deberán permitirle saber si éste está funcionando de manera equilibrada. Siga realizando ajustes de esta manera hasta lograr el mejor equilibrio.

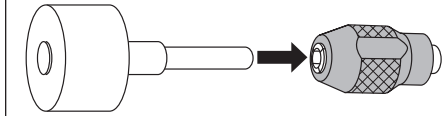
El colgador se suministra con el fin de emplearlo para colgar la herramienta mientras se esté utilizando el eje flexible o para almacenamiento. Si no usa el colgador, quítelo de la herramienta y acóplelo a presión de vuelta en su sitio debajo del cordón, para que no estorbe mientras la herramienta se esté utilizando.

Liberación de portaherramientas atorados

(Fig. 5)

Es posible que un portaherramienta se atore dentro de la tuerca del portaherramienta, especialmente si dicha tuerca está apretada en la herramienta sin que haya una broca instalada en la misma.

Fig. 5



Si esto sucede, el portaherramienta se puede retirar de la tuerca del portaherramienta empujando el vástago de un accesorio hacia el interior del agujero de la tuerca del portaherramienta (Fig. 5). Esto debería hacer que el portaherramienta salga de la tuerca del portaherramienta.

Colgador

El colgador **9** se proporciona con el fin de colgar la herramienta mientras se utiliza el aditamento de eje flexible 225 o para fines de almacenamiento. El colgador **9** se puede desacoplar de la herramienta para colgar la herramienta. Sin embargo, se deberá volver a acoplar de vuelta a presión en la posición correcta debajo del cable, para que esté fuera del paso mientras la herramienta se esté utilizando.

Instrucciones de funcionamiento

⚠ ADVERTENCIA Desconecte el enchufe de la fuente de alimentación antes de hacer cualquier ensamblaje o ajuste, o cambiar accesorios. Dichas medidas preventivas de seguridad reducen el riesgo de arrancar accidentalmente la herramienta.

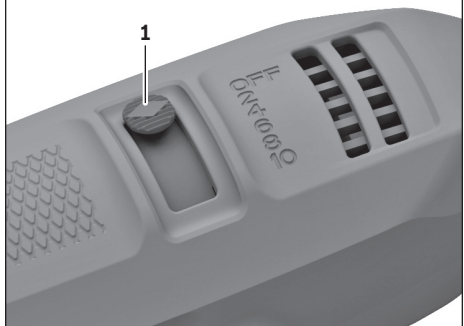
⚠ ADVERTENCIA Haga caso siempre de las siguientes precauciones de seguridad, además de las instrucciones de seguridad que aparecen en las páginas 38 a 43. Si no se hace así, es posible que el resultado sea daños al equipo, daños materiales o lesiones corporales.

⚠ PRECAUCIÓN Cuando agarre la herramienta, tenga cuidado de no cubrir las aberturas de ventilación con la mano. Esto bloquea el flujo de aire y hace que el motor se recaliente.

Interruptor deslizante de “encendido y apagado”

La herramienta se “ENCIENDE” deslizando el selector de velocidad **1** desde la posición de apagado marcada con “OFF” hasta cualquiera de las posiciones de velocidad variable.

Fig. 6



Instrucciones de funcionamiento

Selección de velocidad variable

Con objeto de seleccionar la velocidad correcta para cada trabajo, utilice una pieza de material de práctica.

La velocidad de la herramienta rotativa se controla deslizando el interruptor de encendido y apagado **1** ubicado en la carcasa, que se muestra en la Fig. 6. Hay indicadores de las posiciones del interruptor marcadas con una línea. Deslícelo hasta el número de la caja protectora para seleccionar la velocidad de funcionamiento que se necesita desde 5 000/min hasta 35 000/min.

Puede consultar los cuadros de la página 51 para determinar la velocidad adecuada basándose en el material en el que se está trabajando y el tipo de cortador u otro accesorio que se está utilizando. Estos cuadros le permiten seleccionar de un vistazo tanto el accesorio correcto como la velocidad óptima.

Las posiciones correspondientes a revoluciones por minuto aproximadas:	
Posición del interruptor	Intervalo de velocidad
2	5.000 – 8.000/min
*4	9.000 – 15.000/min
6	16.000 – 21.000/min
8	22.000 – 27.000/min
10	28.000 – 35.000/min

* Ajuste del cepillo de alambre.

Necesidades de velocidades más lentas

Sin embargo, determinados materiales (algunos plásticos y metales preciosos, por ejemplo) requieren una velocidad relativamente lenta debido a que a alta velocidad la fricción del accesorio genera calor y puede causar daños en el material.

Generalmente, las velocidades lentas (15.000 RPM o menos) son mejores para trabajar en proyectos delicados, tales como tallado delicado de madera y piezas de maquetas frágiles. **Todas las aplicaciones de cepillado requieren velocidades más bajas para evitar que el alambre se desprenda del soporte.** Consulte la Tabla de ajustes de velocidad para obtener las velocidades de funcionamiento recomendadas.

Las velocidades más altas son mejores para tallar, cortar, fresar y conformar.

Las maderas duras, los metales y el vidrio requieren un funcionamiento a alta velocidad, y el taladrado también deberá realizarse a altas velocidades.

Usted puede realizar la mayor parte de los trabajos con el modelo de una sola velocidad funcionando a su velocidad normal de 35.000 RPM. Pero para ciertos materiales y tipos de trabajo, usted necesita velocidades más bajas,

48

lo cual es el motivo de que haya disponibles modelos de velocidad variable.

Aumentar la presión sobre la herramienta no es la respuesta cuando ésta no esté funcionando como usted cree que debe hacerlo. Quizás usted debería estar utilizando un accesorio distinto, y tal vez un ajuste de la velocidad resolvería el problema. Apoyarse sobre la herramienta no ayuda.

¡Deje que la velocidad haga el trabajo!

⚠ PRECAUCIÓN No utilice controladores de velocidad externos, ya que esto puede dañar el sistema electrónico de la herramienta.

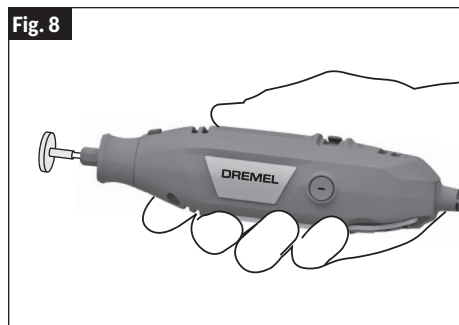
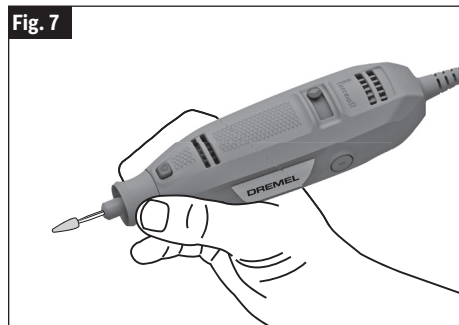
Utilización de la herramienta giratoria

(Fig. 7, 8)

Siempre sostenga la herramienta lejos de su cara. Los accesorios pueden dañarse durante la manipulación y pueden volar a medida que aumentan la velocidad. Esto no es común, pero sucede.

Para tener mejor control al realizar trabajo fino, agarre la herramienta giratoria como un lápiz entre el dedo pulgar y el dedo índice (Figura 6).

El método de "empuñadura de golf" para agarrar la herramienta se utiliza para realizar operaciones más agresivas, como amolar una superficie plana o utilizar ruedas de corte (Figura 7).



Mantenimiento

⚠ ADVERTENCIA

Para evitar accidentes desconecte siempre la herramienta de la fuente de energía antes de la limpieza o de la realización de cualquier mantenimiento.

Servicio

⚠ ADVERTENCIA

El mantenimiento preventivo realizado por personal no autorizado puede dar lugar a la colocación incorrecta de cables y componentes internos que podría constituir un peligro serio. Recomendamos que todo el servicio de ajustes y reparaciones de la herramienta sea realizado por un centro de servicio Dremel.

Mantenimiento general

El motor de esta herramienta ha sido diseñado para ofrecer muchas horas de servicio confiable. Para mantener una eficiencia pico del motor, recomendamos que las escobillas sean examinadas cada 40 - 50 horas. Si la herramienta funciona esporádicamente, pierde potencia, hace ruidos inusuales o funciona a una velocidad reducida, compruebe las escobillas. Solo se deberán usar escobillas de repuesto Dremel genuinas diseñadas especialmente para esta herramienta.

⚠ PRECAUCION

El uso continuo de la herramienta con escobillas desgastadas dañará permanentemente la herramienta.

(Fig. 9, 10)

Para ordenar escobillas de carbono de repuesto para el motor de la herramienta, sírvase contactar a Servicio al Cliente de Dremel: 1-800-437-3635.

Siga estos pasos para revisar y cambiar las escobillas de la herramienta rotatoria.

1. Con el cordón de energía desenchufado, coloque la herramienta sobre una superficie limpia. Use la llave **10** de tuerca de la herramienta como destornillador para quitar las tapas de las escobillas **8** girando en sentido contrario al de las agujas del reloj (Fig. 9).
2. Quite las escobillas de la herramienta tirando del resorte que está sujeto a cada escobilla de carbón. Si la escobilla tiene una longitud inferior a 3,2 mm y la superficie del extremo de la escobilla que hace contacto con el conmutador está áspera y/o corroída, se deberá cambiar. Revise ambas escobillas (Fig. 10).
3. Normalmente, las escobillas no se desgastarán simultáneamente. Si una escobilla está desgastada, cambie ambas escobillas. Asegúrese de que las escobillas se instalan tal como se muestra en la ilustración. La superficie curva de la escobilla debe coincidir con la curvatura del conmutador.

Fig. 9

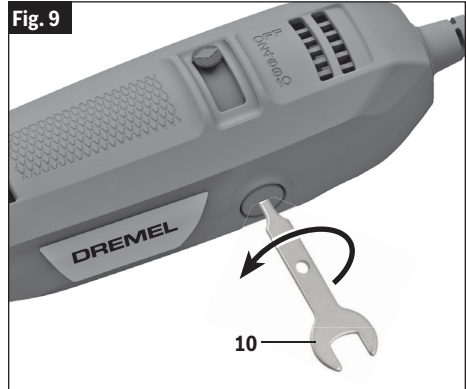
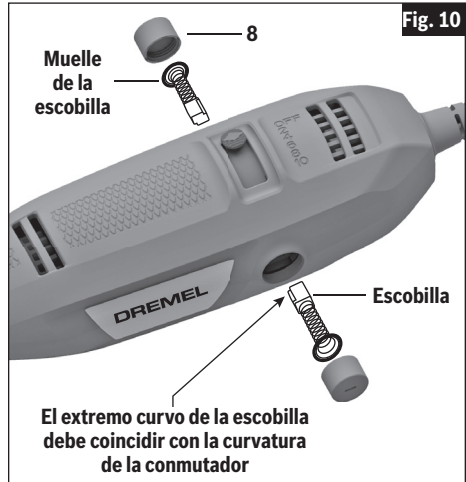


Fig. 10



4. Después de cambiar las escobillas, se deberá hacer funcionar la herramienta sin carga; colóquela sobre una superficie limpia y hágala funcionar libremente durante 5 minutos antes de someter a carga (o utilizar) la herramienta. Esto permitirá que las escobillas se asienten adecuadamente y hará que cada juego de escobillas proporcione muchas más horas de servicio. Esto también prolongará la vida total de la herramienta, ya que la superficie del conmutador tardará más en desgastarse.

Mantenimiento

Limpieza

⚠ PRECAUCIÓN Ciertos agentes de limpieza y disolventes dañan las piezas de plástico. Algunos de estos son: gasolina, tetracloruro de carbono, disolventes de limpieza clorados, amoníaco y detergentes domésticos que contienen amoníaco.

Las aberturas de ventilación y las palancas de interruptor deben mantenerse limpias y libres de materias extrañas. No intente limpiar introduciendo objetos puntiagudos a través de las aberturas.

Cordones de extensión

⚠ ADVERTENCIA Si es necesario un cordón de extensión, se debe usar un cordón con conductores de tamaño adecuado que sea capaz de transportar la corriente necesaria para la herramienta. Esto evitará caídas de tensión excesivas, pérdida de potencia o recalentamiento. Las herramientas conectadas a tierra deben usar cordones de extensión de 3 hilos que tengan enchufes de 3 terminales y receptáculos para 3 terminales.

NOTA: Cuanto más pequeño sea el número de calibre, más alta será la capacidad del cordón.

TAMAÑOS RECOMENDADOS DE CORDONES DE EXTENSION HERRAMIENTAS DE 120 V CORRIENTE ALTERNA

Capacidad nominal en amperes de la herramienta	Tamaño del cordón en A.W.G.				Tamaños del cable en mm ²			
	Longitud del cordón en pies				Longitud del cordón en metros			
	25	50	100	150	15	30	60	120
3-6	18	16	16	14	0.75	0.75	1.5	2.5
6-8	18	16	14	12	0.75	1.0	2.5	4.0
8-10	18	16	14	12	0.75	1.0	2.5	4.0
10-12	16	16	14	12	1.0	2.5	4.0	–
12-16	14	12	–	–	–	–	–	–

Accesorios para la Dremel

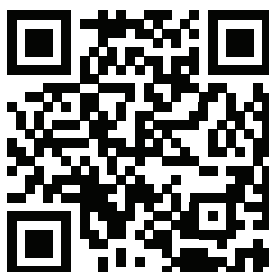
⚠ ADVERTENCIA Utilice únicamente accesorios de la marca Dremel®. Otros accesorios no están diseñados para esta herramienta y pueden causar lesiones personales o daños materiales.

Almacene los accesorios en un entorno seco y templado para evitar la corrosión y el deterioro.

El número y la diversidad de accesorios para la Herramienta Rotativa son casi ilimitados. Hay una categoría adecuada para casi todos los trabajos que usted tenga que realizar — y una diversidad de tamaños y formas dentro de cada categoría que le permiten a usted obtener el accesorio perfecto para cada necesidad.

Las categorías de accesorios son las siguientes; tallado / grabado, fresado, amolado/ afilado, corte, limpieza / pulido, lijado, remoción de lechada, taladrado y portaherramientas / varios.

Para obtener una guía completa de accesorios rotativos Dremel, sírvase visitar: <https://www.dremel.com/binaries/content/assets/dremel/us/other/rotary-accessory-guide.pdf>



Posiciones de velocidad

Los siguientes cuadros indican las velocidades recomendadas para cada tipo de accesorio y de material.

Posiciones de velocidad: **2** (5,000 - 8,000 RPM) **4** (9,000 - 15,000 RPM) **6** (16,000 - 21,000 RPM)
8 (22,000 - 27,000 RPM) **10** (28,000 - 35,000 RPM)

Número de catálogo	Madera blanda	Madera dura	Laminados/plásticos	Acero	Aluminio, latón, etc.	Caparazón/piedra	Cerámica	Vidrio	Velocidad nominal (velocidad de funcionamiento máxima del accesorio)
Accesorios para tallar / grabar									
191	10	8-10	4	6	10	—	—	—	35,000
Accesorios de corte									
420, 426	6-10	6-10	4-6	8-10	10	6-10	—	—	35,000
Accesorios para amolar / afilar: Óxido de aluminio (naranja/marrón)									
932, 8193	—	—	—	8-10	6-8	—	—	—	35,000
Accesorios para amolar / afilar: Carburo de silicio (azul/verde)									
83322	—	—	—	—	—	6-8	6-8	8	35,000
Accesorios de limpieza / pulido									
414, 422, 429	—	—	—	8-10	6	6	6	6	35,000
425	—	—	—	6-8	6-8	—	—	—	35,000
Accesorios de lijado									
407, 408, 411, 412, 413, 432	6-8	6-8	6-8	6-8	6-8	6-8	—	—	35,000

Aditamento de guía de lijado/amolado modelo A576

Utilización del aditamento de guía de lijado/amolado

⚠ ADVERTENCIA No utilice el mandril Dremel con este aditamento. Utilice únicamente un portaherramienta y una tuerca de portaherramienta.

⚠ ADVERTENCIA Para utilizarse solamente con accesorios de piedra lijadora y piedra amolar de 1/2 pulgada o menos.

⚠ ADVERTENCIA No se permite utilizar brocas de fresadora con el aditamento de guía de lijado/amolado.

La guía viene completamente ensamblada y lista para utilizarse para aplicaciones de lijado y amolado hasta 1/2 pulgada (13 mm) de grosor.

La guía tiene un bisel de 90 y 45 grados para diversas aplicaciones de lijado.

Instrucciones de instalación:

1. Retire la tapa de punta **5** del extremo de la herramienta y ponga dicha tapa a un lado (Fig. 11). La tapa de punta original se debe reinstalar cuando este aditamento no se esté utilizando.
2. Afloje la tuerca del portaherramienta **3**, coloque su accesorio y reapriete la tuerca (Fig. 12).
3. Enrosque el aditamento **A** en la parte roscada del collarín de la carcasa **B** (Fig. 12).
4. Para ajustar la profundidad del aditamento **A** (Fig. 13): Afloje la perilla de mariposa **C**, ajuste la profundidad y apriete la perilla de mariposa **C**.

Fig. 11

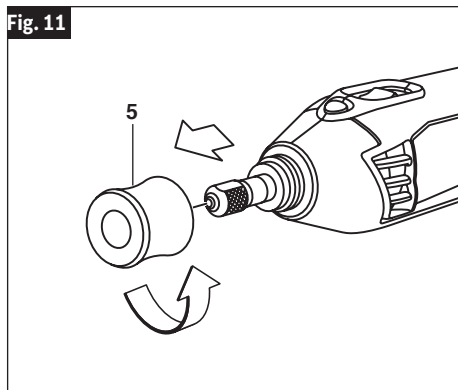


Fig. 12

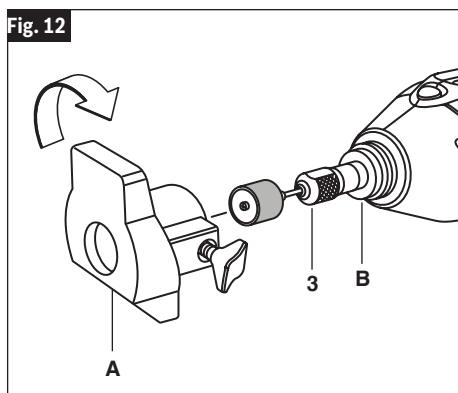
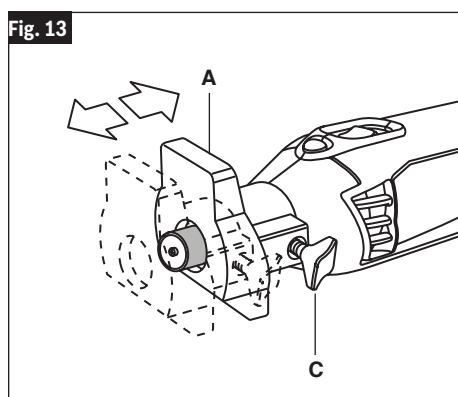


Fig. 13



Afilador para cortadoras de césped y herramientas de jardín modelo 675

Utilización del aditamento afilador de cuchillas de cortadora de césped

⚠ ADVERTENCIA No utilice el mandril Dremel (model 4486) con este aditamento. Utilice únicamente un portaherramienta y una tuerca de portaherramienta.

⚠ ADVERTENCIA Utilice únicamente la piedra de afilar Dremel núm. 932 con este aditamento. Puede que otras piedras no encajen en el aditamento o no tengan el tamaño adecuado o la velocidad nominal adecuada.

⚠ ADVERTENCIA Consulte el manual del usuario de la cortadora de césped para obtener instrucciones de mantenimiento, desmontaje y reinstalación de las hojas. Las grietas en el cuerpo de las hojas o un desmontaje y una reinstalación incorrectos de las hojas podrán causar lesiones graves.

⚠ ADVERTENCIA Inspeccione la hoja para comprobar si tiene grietas o le faltan secciones. Reemplace la hoja si se comprueba que está agrietada o dañada. Las hojas agrietadas o dañadas pueden romperse en pedazos durante el funcionamiento de la herramienta.

⚠ ADVERTENCIA Las cuchillas de cortadora de césped tienen bordes afilados, que pueden lacerar las manos.

⚠ ADVERTENCIA Si la piedra se agarra a la esquina de la hoja, puede experimentar retroceso y causar pérdida de control.

(Fig. 14, 15, 16)

Instrucciones de instalación:

1. Retire la tapa de punta 5 del extremo de la herramienta y ponga dicha tapa a un lado (Fig. 14). La tapa de punta original se debe reinstalar cuando este aditamento no se esté utilizando.
2. Afloje la tuerca del portaherramienta 3 (Fig. 14).
3. Inserte completamente una piedra de amolar de óxido de aluminio Dremel núm. 932 nueva o recién rectificada en el portaherramienta y apriete la tuerca del portaherramienta (Fig. 14).
4. Enrosque el aditamento afilador para cortadoras de césped E en la carcasa de la herramienta giratoria Dremel (Fig. 15).

Afilado de la hoja

1. Coloque la hoja desmontada en una prensa de tornillo o una abrazadera.

Fig. 14

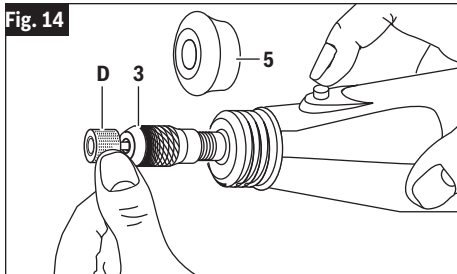


Fig. 15

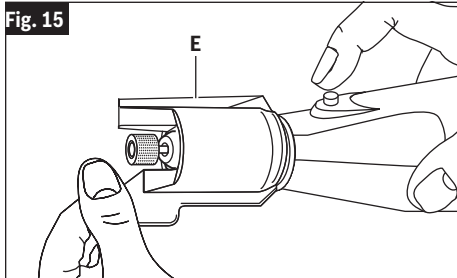
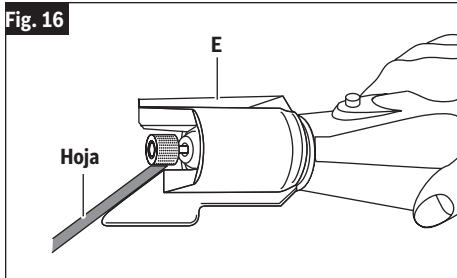


Fig. 16

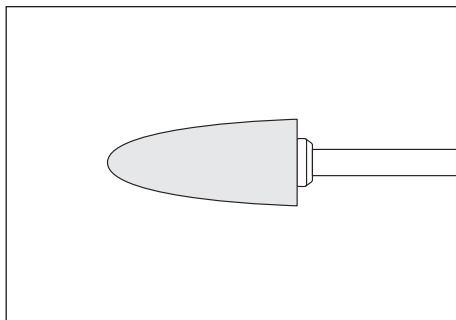
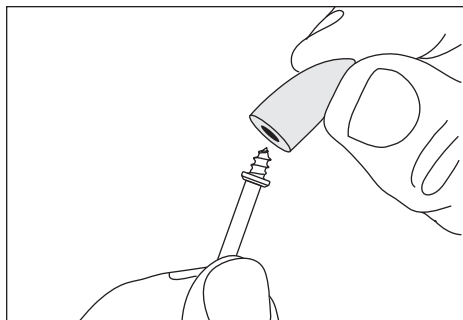


2. Posicione el aditamento afilador sobre el borde biselado de la hoja, manteniéndolo en el ángulo de la guía y siguiendo el ángulo del borde biselado existente (Fig. 16).
3. Encienda la herramienta giratoria y pásela sobre cada extremo de la hoja un número igual de veces, a la misma velocidad y presión para mantener la hoja en equilibrio hasta que el borde esté afilado.

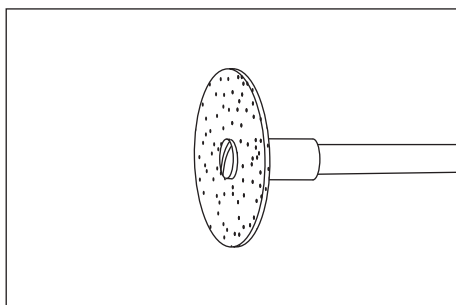
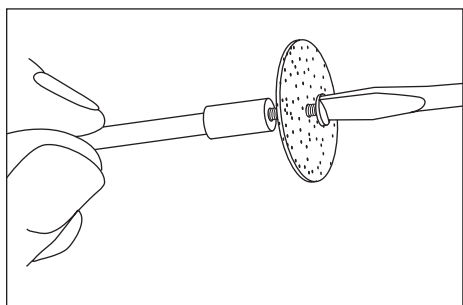
Equilibrado de la hoja

Clave un clavo en una viga o una pared. Deje aproximadamente una pulgada de clavo al descubierto. Coloque el agujero central de la hoja sobre la cabeza del clavo, con la hoja en posición horizontal. Si la hoja está equilibrada, deberá permanecer en posición horizontal. Si un lado de la hoja se mueve hacia abajo, utilice la piedra de amolar (sin la guía) para retirar pequeñas cantidades de material del final del extremo de ese lado de la hoja. Retire justo suficiente material del extremo para llevar la hoja a una parada balanceada sobre el clavo.

Reemplazo de los accesorios de mandril de tornillo

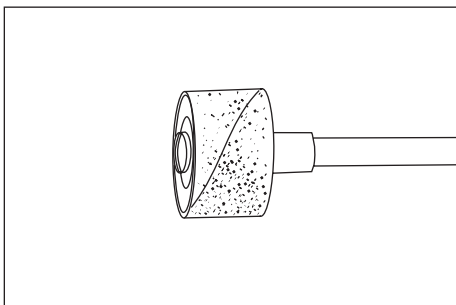
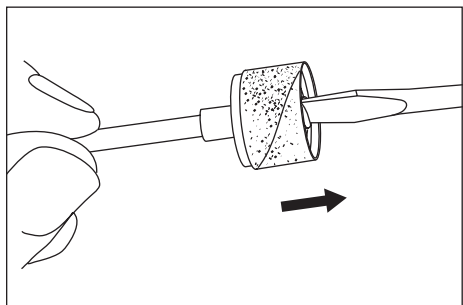


El **vástago 401** se utiliza con la punta de pulir de fieltro y las ruedas de pulir de fieltro. Enrosque la punta en el tornillo cuidadosamente. La punta de fieltro debe enroscarse hacia abajo en línea recta sobre el vástago de tornillo y se debe girar del todo hasta el collarín.



El **vástago 402** tiene un tornillo pequeño en la punta y se utiliza con ruedas de corte de esmeril y discos de lijar de esmeril. Las velocidades más altas, normalmente las máximas, son mejores para la mayoría de los trabajos, incluyendo el corte de acero, que se muestra aquí.

⚠ ADVERTENCIA Antes de cada uso, asegúrese de que todos los componentes estén montados en el cuerpo del accesorio y de que el tambor esté suficientemente expandido para mantener fija la cinta de lijar durante el uso. Si dicha cinta está floja en el tambor durante la operación, podrá salir despedida y golpearles a usted o las personas que se encuentren presentes.



Para cambiar una cinta de lijar en la **lijadora de tambor 407**, afloje el tornillo sin quitarlo para contraer el tambor y luego deslice la cinta vieja hasta sacarla. Deslice la cinta de lijar nueva sobre el tambor hasta que esté colocada y luego expanda el tambor apretando el tornillo una vez más.

Garantía limitada de Dremel®

Su producto Dremel está garantizado contra defectos de material o de fabricación durante un período de dos años a partir de la fecha de compra. En caso de que un producto no se ajuste a esta garantía escrita, por favor, tome las medidas siguientes:

1. NO devuelva el producto al lugar de compra.
2. Empaque el producto cuidadosamente y solo, sin otros artículos, y envíelo con el porte pagado junto con:
 - A. Una copia de la prueba de compra fechada (por favor, conserve una copia para usted).
 - B. Una explicación por escrito de la naturaleza del problema.
 - C. Su nombre, dirección y número de teléfono a:

ESTADOS UNIDOS

Dremel Repairs

173 Lawrence 428 Dock #2 O

Walnut Ridge, AR 72476

CANADÁ

Giles Tool Agency

47 Granger Av.

M1K 3K9 1-416-287-3000

FUERA DE LOS TERRITORIOS CONTINENTALES DE LOS EE.UU.

Vea al distribuidor local o escriba a Dremel:

173 Lawrence 428 Dock #2, Walnut Ridge, AR 72476

Recomendamos que el paquete sea asegurado contra pérdida o daños durante el transporte por los cuales no podemos ser responsables.

Esta garantía tiene validez únicamente para el comprador original inscrito. LOS DAÑOS AL PRODUCTO PRODUCIDOS POR MANIPULACION INCORRECTA, ACCIDENTE, ABUSO, NEGLIGENCIA, REPARACIONES O ALTERACIONES NO AUTORIZADAS, ACCESORIOS NO APROBADOS U OTRAS CAUSAS NO RELACIONADAS CON PROBLEMAS DEL MATERIAL O LA FABRICACION NO ESTAN CUBIERTOS POR ESTA GARANTIA.

Ningún empleado, agente, distribuidor, ni ninguna otra persona está autorizado a dar ninguna garantía en nombre de Dremel. Si la inspección de Dremel demuestra que el problema fue causado por problemas con el material o la fabricación dentro de los límites de la garantía, Dremel reparará o reemplazará el producto gratuitamente y devolverá el producto con el porte pagado. Las reparaciones necesarias debido al desgaste normal o al abuso, o las reparaciones de productos que se encuentren fuera del período de garantía, en caso de que se puedan realizar, se cobrarán a precios de fábrica normales.

DREMEL NO DA NINGUNA OTRA GARANTIA DE NINGUN OTRO TIPO, EXPRESA O IMPLICITA, Y TODAS LAS GARANTIAS IMPLICITAS DE COMERCIABILIDAD E IDONEIDAD PARA UN PROPOSITO ESPECIFICO QUE EXCEDEN LA OBLIGACION MENCIONADA ANTERIORMENTE QUEDAN POR LA PRESENTE RECHAZADAS POR PARTE DE DREMEL Y ESTAN EXCLUIDAS DE ESTA GARANTIA LIMITADA.

Esta garantía le confiere a usted derechos legales específicos y es posible que usted también tenga otros derechos que varían de un estado a otro. La obligación del garante consiste únicamente en reparar o reemplazar el producto. El garante no es responsable de ningún daño incidental o emergente debido a cualquiera de dichos defectos alegados. Algunos estados no permiten la exclusión o limitación de los daños incidentales o emergentes, por lo que es posible que las limitaciones o la exclusión anteriores no sean aplicables en el caso de usted.

Para precios y cumplimiento de la garantía en los territorios continentales de los Estados Unidos, póngase en contacto con el distribuidor local Dremel.

Exportado por: © Robert Bosch Tool Corporation Mt. Prospect, IL 60056 -2230, E.U.A.

Importado a México por: Robert Bosch, S. de R.L. de C.V.

Calle Robert Bosch No. 405 - 50071 Toluca, Edo. de Méx. - México

Tel. 052 (722) 279 2300 ext 1160 / Fax. 052 (722) 216-6656



1605A0014P AA 04/2023



1 6 0 5 A 0 0 1 4 P A A

